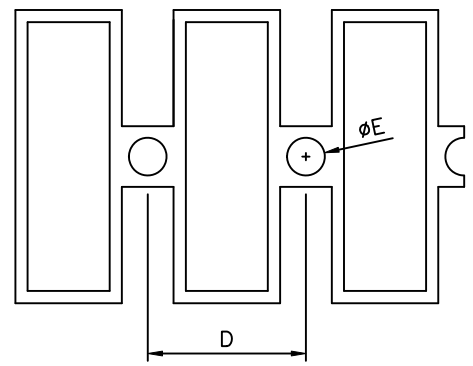
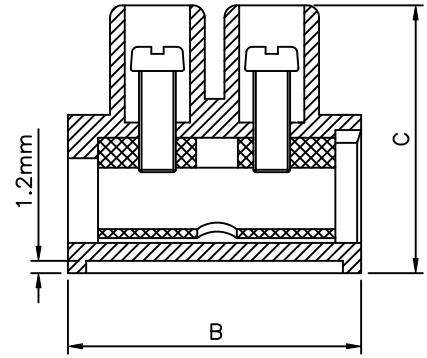
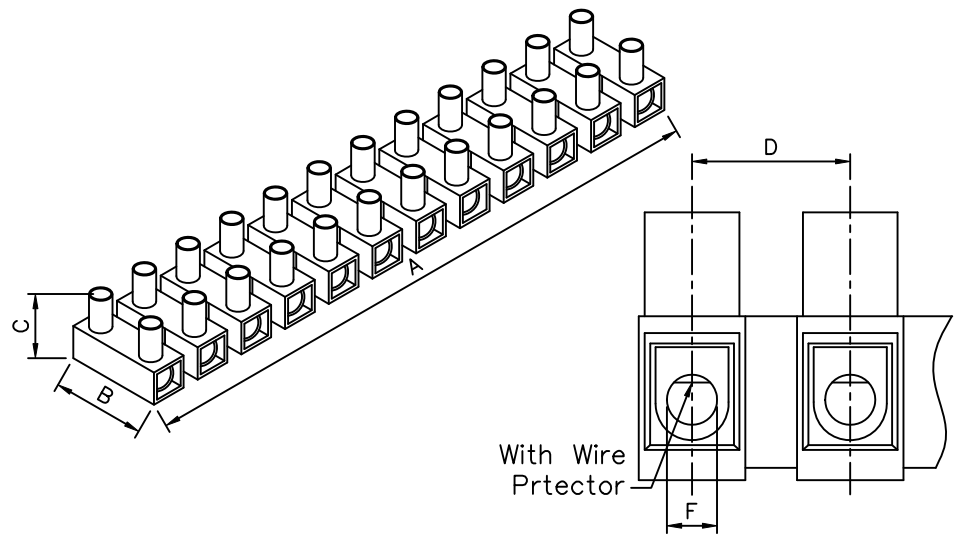


**SPECIFICATIONS**

Housing: Nylon 66,UL 94V-2,Natural  
 Working Temperature: 105°C(UL); -30°C~110°C(VDE)  
 Screw: Zinc Plated,White Steel  
 Number Of Poles: 12Poles  
 Stripping Length: : 5.0mm



Wire Range		Screw	Dimensons						Packing
Cross-Sec	Cu, Awg		A	B	C	D	E	F	
1.5mm <sup>2</sup>	22-12Sol/Str	M2.6x5	96.20	17.00	14.50	8.00	2.90	2.8±0.1	50Pcs/Bag 500Pcs/Ctn

U.S.A	Canada	Germany	Finland	Sweden	Austria	Switzerland	Denmark	Norway	Netherlands	Belgium	Italy	China
600V 20A #22-#12	600V 20A #22-#12	450V 17.5A 1.5mm <sup>2</sup>	450V 17.5A 1.5mm <sup>2</sup>	450V 17.5A 1.5mm <sup>2</sup>	450V 17.5A 1.5mm <sup>2</sup>	450V 17.5A 1.5mm <sup>2</sup>	400V 17.5A 1.5mm <sup>2</sup>	400V 17.5A 1.5mm <sup>2</sup>	400V 17.5A 1.5mm <sup>2</sup>	400V 17.5A 1.5mm <sup>2</sup>	400V 17.5A 1.5mm <sup>2</sup>	400V 17.5A 1.5mm <sup>2</sup>

**AUK** A MEMBER OF AUK GROUP  
**太聯事業股份有限公司**  
**AUK CONTRACTORS CO., LTD.**

CATEGORY		APPROVED BY		UNLESS OTHERWISE SPECIFIED TOLERANCES ARE .X ±0.38 .XX ±0.25 ANG.					
PART No. TB230P-XX-H12		MEI							
DRAWING No. TB230P-XX-H12		INGRID							
SCALE		REV.			UNIT		NO. REV.	DATE	
NONE			A0	mm		A0	NEW RELEASE	INGRID	10/25/2007
							REVISIONS	CHK	