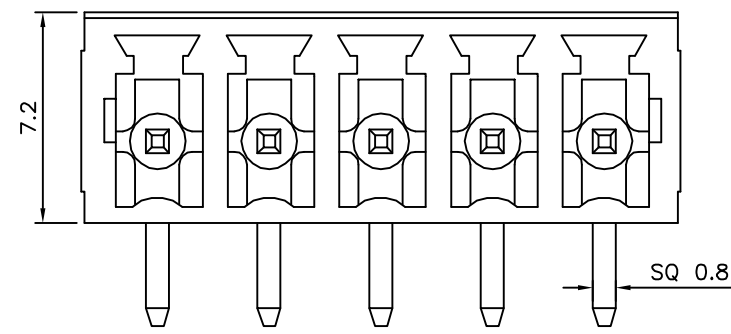
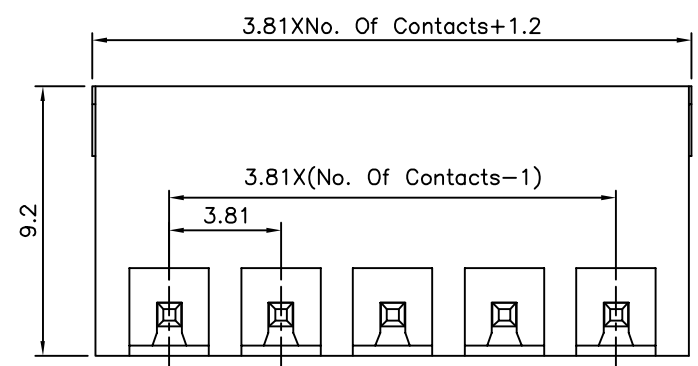
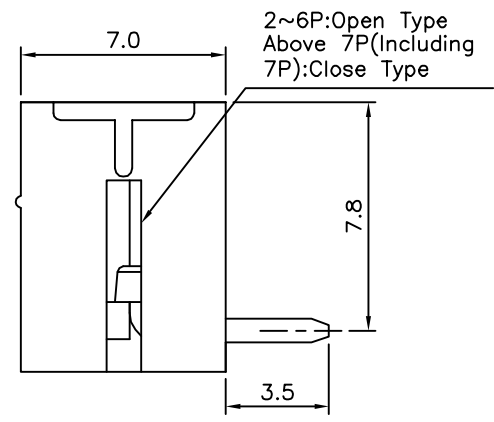


△ SPECIFICATION
 Current Rating: 12 Amp/Way Max.
 Voltage Rating: 300V AC
 Withstanding Voltage: 2500V AC For 1 Minute
 Test Time = 60 Sec/1 PCS
 Operation Temperature: -40°C ~ +105°C
 Soldering Reliability: Test Temperature = 250°C ± 10°C
 5 Seconds Max.
 Insulator Body: Polyamide+G.F.(UL94V-0), Green
 Solder Pin: Copper Alloy, Tin Plated
 RoHS Compliant



△△ TB 38 XX PR B - H
 (1) (2) (3) (4) (5) (6)
 (1) TB: Terminal Block Pluggable Rising Clamp Type
 (2) 38: Pitch 3.81mm
 (3) XX: No. Of Position
 (4) PR: Male DIP Right Angle
 (5) B: Close End
 (6) H: RoHS Compliant



AUK A MEMBER OF AUK GROUP
太聯事業股份有限公司
AUK CONTRACTORS CO., LTD.

CATEGORY		APPROVED BY		UNLESS OTHERWISE SPECIFIED TOLERANCES ARE X ±0.50 .X ±0.30 .XX ±0.20 ANG. ±1°
PART No. TB38XXPRB-H		EMILY		
DRAWING No. TB38XXPRB-H		HZF		
SCALE		REV.		UNIT
NONE		A2		mm

NO.	REV.	REVISIONS	CHK	DATE
△A2		Modify P/N Code	HZF	03/17/2015
△A1		Modify Data	HZF	03/13/2013
△A0		NEW RELEASE	HZF	04/10/2009