

2P To 6P With Wedge,Above  
7P Without Wedge(Including 7P)

3.5XNo. Of Contacts  $\Delta\Delta$   
Above 10P Tolerance Is  $\pm 0.3$   $\Delta$

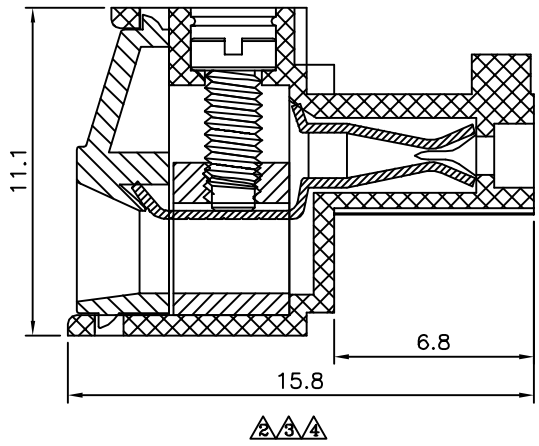
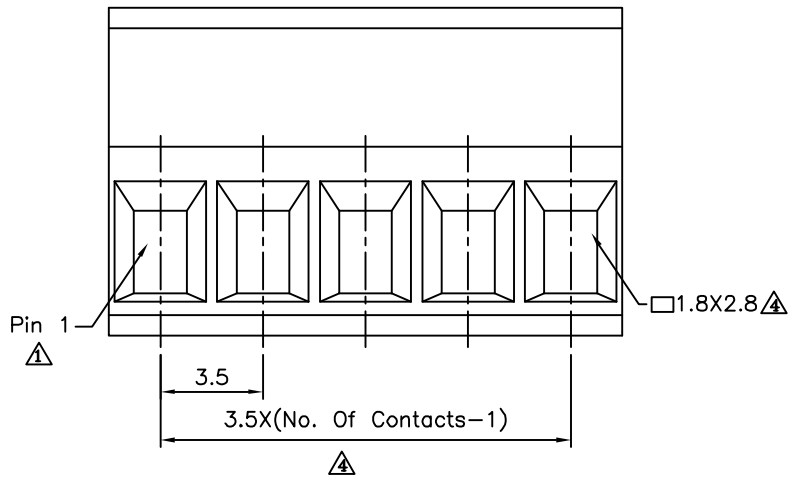
**△ SPECIFICATION**

Voltage Rating:300V AC  
Current Rating:12 Amps/Way Max.  
Contact Resistance:20 Milliohms Max.  
Withstanding Voltage:2500V AC(1 Minute) Test  
Time=60 Sec/1 PCS  
Wire Range:16~24 AWG  
Torque:2.5 Kgf.cm/M2  
Operation Temperature:-40°C~+105°C  
Soldering Reliability:  
Test Temperature=250°C±10°C/5 Seconds Max.

**△△ Contact(Metal Housing):Copper Alloy,Nickel Plated**  
Terminal Screw:Steel,Galvanized With Cr3+ Plated  
Wire Guard:Copper Alloy,Tin Plated  
**△△ Insulator Body(Housing):Polyamide(UL94V-0)**  
RoHS Compliant

**△△△ TB 35 XX SW - XX - H**  
(1) (2) (3) (4) (5) (6)

- (1) TB:Terminal Block Pluggable Rising Clamp Type
- (2) 35:Pitch 3.5mm
- (3) XX:No. Of Position
- (4) SW:Female Screw Type
- (5) XX:Insulator Color  
Blank:Green  
BL:Blue  
BK:Black  
GE:Gray
- (6) H:RoHS Compliant



**AUK** A MEMBER OF AUK GROUP  
**太聯事業股份有限公司**  
**AUK CONTRACTORS CO., LTD.**

CATEGORY		APPROVED BY		UNLESS OTHERWISE SPECIFIED TOLERANCES ARE X. ±0.50 .X ±0.30 .XX ±0.20 ANG. ±1°
PART No. $\Delta$ TB35XXSW-XX-H		EMILY		
DRAWING No. TB35XXSW-XX-H		CHECKED BY HZF		
SCALE NONE		DRAWING BY CYP		
REV.	A4	UNIT mm		

$\Delta$ A4	Modify Data	HZF	10/24/2014
$\Delta$ A3	Modify Data	HZF	08/28/2012
$\Delta$ A2	Modify P/N:TB35XXSW-H → TB35XXSW-XX-H	HZF	05/17/2012
$\Delta$ A1	Modify Data	HZF	11/22/2011
$\Delta$ A0	NEW RELEASE	HZF	04/09/2009
NO.REV.	REVISIONS	CHK	DATE