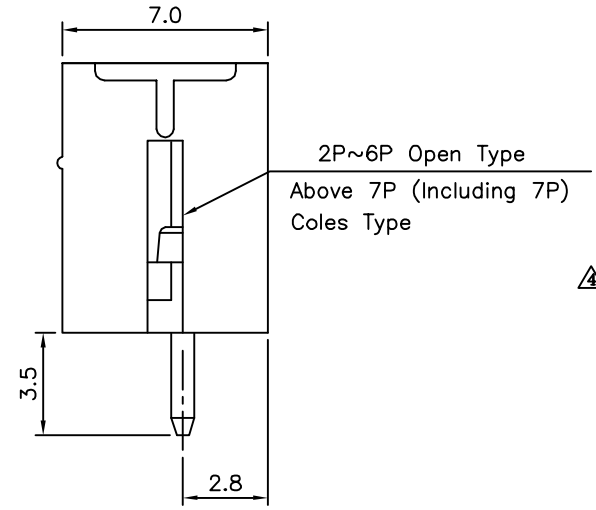
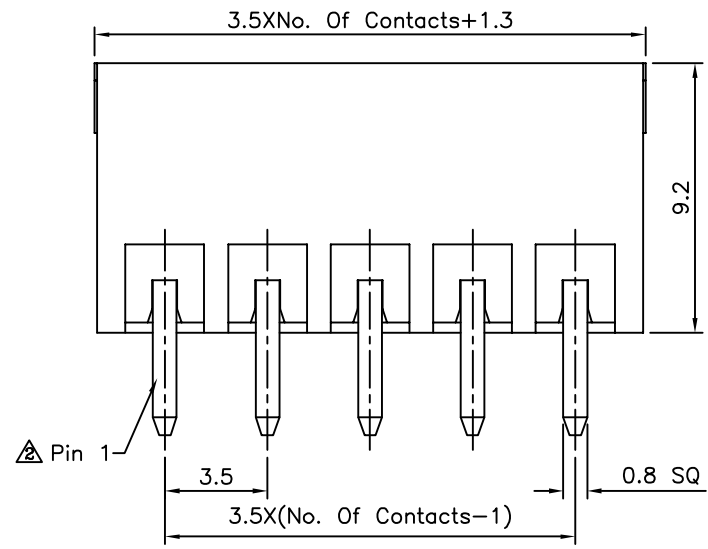


Recommended P.C.B. Layout

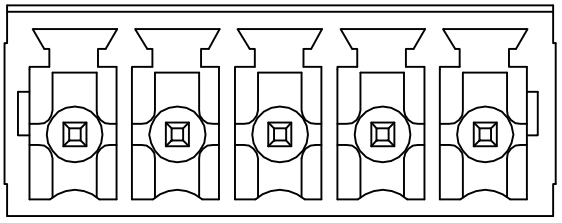
△ SPECIFICATION

Current Rating:12 Amp/Way Max.
 Voltage Rating:300V AC
 Withstanding Voltage:2500V AC For 1 Minute
 Test Time=60 Sec/1 PCS
 Operation Temperature:-40°C~+105°C
 Soldering Reliability:Test Temperature=250°C±10°C
 5 Seconds Max.
 Insulator Body(Housing):Polyamide+G.F.(UL94V-0)
 Solder Pin:Copper Alloy,Tin Plated
 RoHS Compliant



△△ TB 35 XX P D B - XX - H
 (1) (2) (3) (4) (5) (6) (7) (8)

- (1) TB:Terminal Block Pluggable Rising Clamp Type
- (2) 35:Pitch 3.5mm
- (3) XX:No. Of Position/Per Row
- (4) P:Male
- (5) D:DIP Straight
- (6) B:Close End
- (7) XX:Insulator Color
 Blank:Green
 BL:Blue
 BK:Black
 GE:Gray
- (8) H:RoHS Compliant



△△

AUK A MEMBER OF AUK GROUP
太聯事業股份有限公司
AUK CONTRACTORS CO., LTD.

CATEGORY		APPROVED BY		UNLESS OTHERWISE SPECIFIED TOLERANCES ARE X. ±0.50 .X ±0.30 .XX ±0.20 ANG. ±1°
PART No. TB35XXPDB-XX-H		EMILY		
DRAWING No. TB35XXPDB-XX-H		CHECKED BY HZF		
SCALE NONE		DRAWING BY GAO		
REV.	A4	UNIT mm		

△ A4	Modify Data	HZF	05/28/2012
△ A3	Modify Data	HZF	11/23/2011
△ A2	Add Pin 1	HZF	11/22/2011
△ A1	Modify P/N: TB35XXPDB-H --> TB35XXPDB-XX-H	HZF	10/14/2011
△ A0	NEW RELEASE	HZF	04/07/2009
NO. REV.	REVISIONS	CHK	DATE