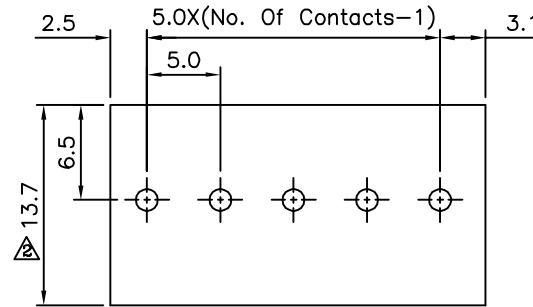
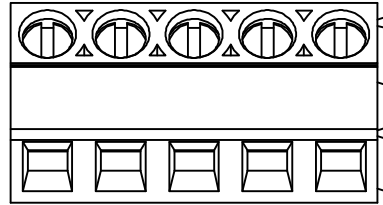


△△ SPECIFICATION

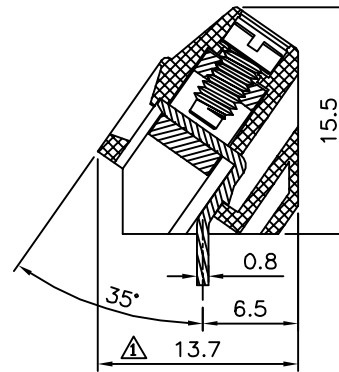
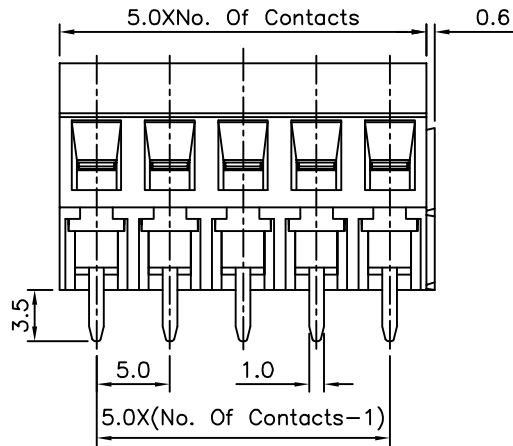
Current Rating:10 Amps/Way Max.
 Voltage Rating:250V AC
 Contact Resistance:20 Milliohms Max.
 Withstanding Voltage:2500V AC(1 Minute)
 Test Time=60s/1 PCS
 Wire Range:12~26 AWG
 Operation Temperature:-40°C~+105°C
 Soldering Reliability:250°C±10°C/5 Seconds Max.
 Torque:4.0 Kgf.cm/M2.5
 Contact(Metal Housing):Copper Alloy,Nickel Plated
 Terminal Screw:Steel,Galvanized With Cr3+ Plated
 Solder Pin:Copper Alloy,Tin Plated
 Insulator Body(Housing):Polyamide(UL94V-0)
 RoHS Compliant



Recommended P.C.B. Layout

TBH XX C - XX - H
 (1) (2) (3) (4) (5)

- (1) TBH:5.0mm Terminal Block Rising Clamp Type
- (2) XX:No. Of Position
- (3) C:Cable Outlet 45°
- (4) XX:Insulator Color
 Blank:Green
 BK:Black
 BL:Blue
- (5) H:RoHS Compliant



AUK A MEMBER OF AUK GROUP
太聯事業股份有限公司
AUK CONTRACTORS CO., LTD.

| | | | | |
|----------------------------|------|--------------------|------------|--|
| CATEGORY | | APPROVED BY | | UNLESS OTHERWISE SPECIFIED TOLERANCES ARE X. ±0.50 .X ±0.30 .XX ±0.20 ANG. ±1° |
| PART No. TBHXXC-XX-H | | EMILY | | |
| DRAWING No. TBHXXC-XX-H | | CHECKED BY HZF | | |
| SCALE | | DRAWING BY SONG | | |
| NONE | REV. | A3 | UNIT mm | |

| | | | | |
|-----|------|-------------|-----|------------|
| NO. | REV. | REVISIONS | CHK | DATE |
| △ | A3 | Modify Data | HZF | 06/03/2013 |
| △ | A2 | Modify Data | HZF | 01/24/2011 |
| △ | A1 | Modify Data | HZF | 06/11/2010 |
| △ | A0 | NEW RELEASE | HZF | 11/28/2009 |