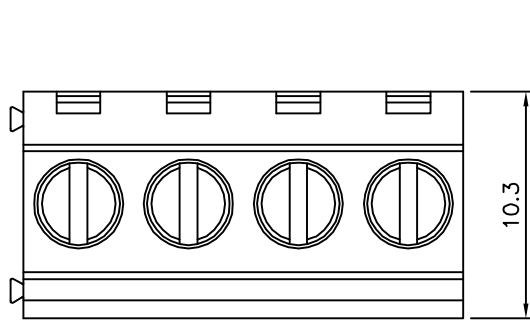


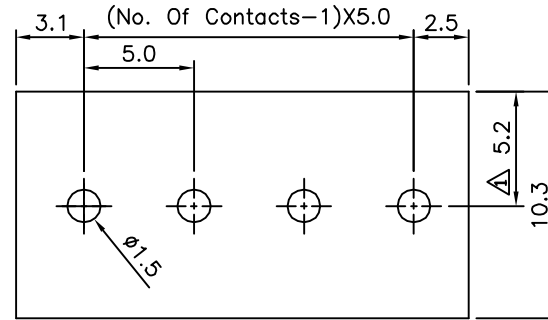
△△ SPECIFICATION

Voltage Rating:300V AC
 Current Rating:16 Amps/Way Max.
 Contact Resistance:20 Milliohms Max.
 Withstanding Voltage:2500V AC(1Min) Test Time=60 Sec./1 PCS
 Wire Range:12~30 AWG
 Torque:4.5 Kgf.cm/M2.5
 Operation Temperature:-40°C~+105°C
 Soldering Reliability:
 Test Temperature=250°C±10°C/5 Seconds Max.

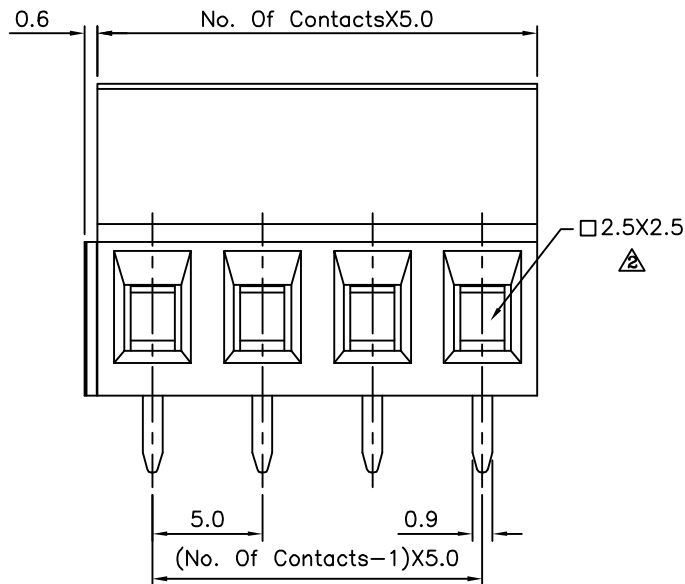
△ Contact(Metal Housing):Copper Alloy,Nickel Plated
Terminal Screw:Steel,Galvanized With Cr3+ Plated
Solder Pin:Copper Alloy,Tin Plated
Insulator Body(Housing):Polyamide(UL94V-0),Green
 RoHS Compliant



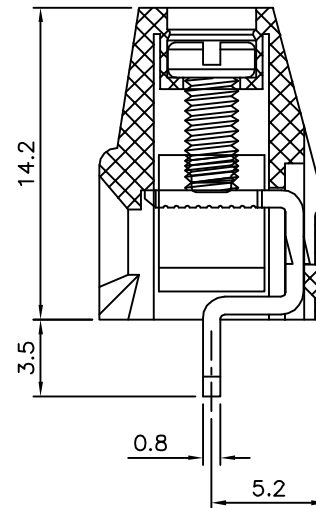
△△



Recommended P.C.B. Layout



△



△

△ TBH XX B - H
 (1) (2) (3) (4)

- (1) TBH:5.0mm Terminal Block Rising Clamp Type
- (2) XX:No. Of Position
- (3) B:Height=14.2mm
- (4) H:RoHS Compliant

CATEGORY		APPROVED BY		UNLESS OTHERWISE SPECIFIED TOLERANCES ARE X. ±0.50 .X ±0.30 .XX ±0.20 ANG. ±1°
PART No. TBHXXB-H		EMILY		
DRAWING No. TBHXXB-H		CHECKED BY HZF		
SCALE NONE		DRAWING BY YBL		
REV.	A3	UNIT mm		

NO.	REV.	REVISIONS	CHK	DATE
△	A3	Modify Data	HZF	02/21/2014
△	A2	Modify Data	HZF	10/19/2011
△	A1	Modify Data	HZF	12/09/2010
△	A0	NEW RELEASE	HZF	04/12/2009