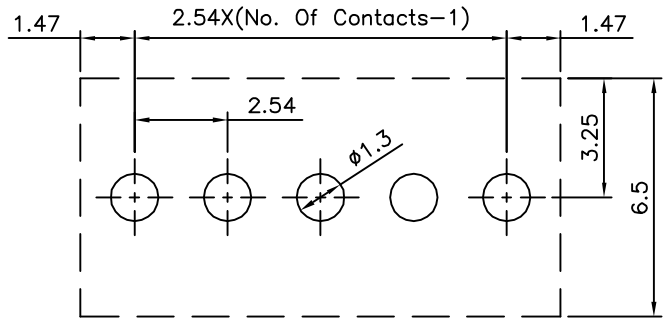


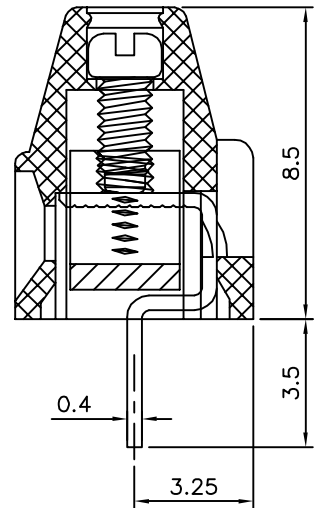
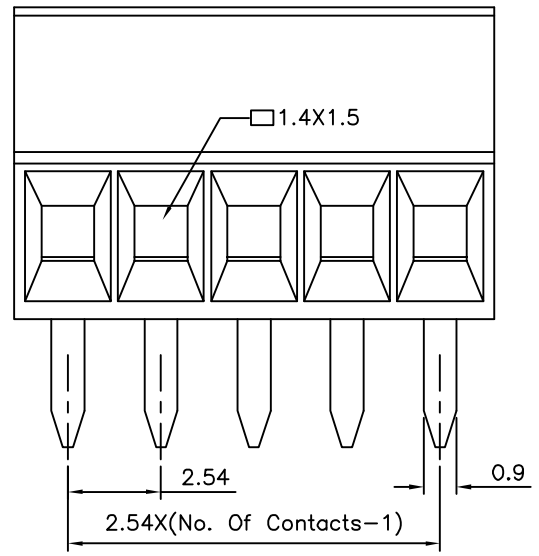
△△



Recommended P.C.B. Layout

△ SPECIFICATION

Voltage Rating:150V AC
 Current Rating:6 Amp/Way Max.
 Contact Resistance:20 Milliohms Max.
 Withstanding Voltage:2000V AC For 1 Minute
 Test Time=60s/1 PCS
 Wire Range:18~30 AWG
 Torque:1.5 Kgf.cm/M1.6
 Operation Temperature:-40°C~+105°C
 Soldering Reliability:
 Test Temperature=250°C±10°C/5s Max.
 Contact:Copper Alloy,Nickel Plated
 Terminal Screw:Steel,Galvanized With Cr3+ Plated
 Solder Pin:Copper Alloy,Tin Plated
 Insulator Body(Housing):Polyamide(UL94V-0),Green
 RoHS Compliant



△ TB25 XX A - H
 (1) (2) (3) (4)

- (1) TB25:2.54mm Terminal Block
Rising Clamp Type
- (2) XX:No. Of Position/Per Row
- (3) A:Height=8.5mm
- (4) H:RoHS Compliant

AUK A MEMBER OF AUK GROUP
太聯事業股份有限公司
AUK CONTRACTORS CO., LTD.

CATEGORY		APPROVED BY EMILY	
PART No. TB25XXA-H		CHECKED BY HZF	
DRAWING No. TB25XXA-H		DRAWING BY SONG	
SCALE	NONE	REV.	A2

UNLESS OTHERWISE SPECIFIED TOLERANCES ARE
 X. ±0.50
 .X ±0.30
 .XX ±0.20
 ANG. ±1°

UNIT mm

NO.	REV.	REVISIONS	CHK	DATE
△A2		Modify Data	HZF	09/14/2013
△A1		Modify Data	HZF	07/22/2013
△A0		NEW RELEASE	HZF	07/26/2009