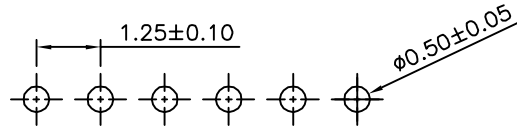


SPECIFICATION

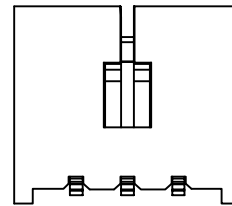
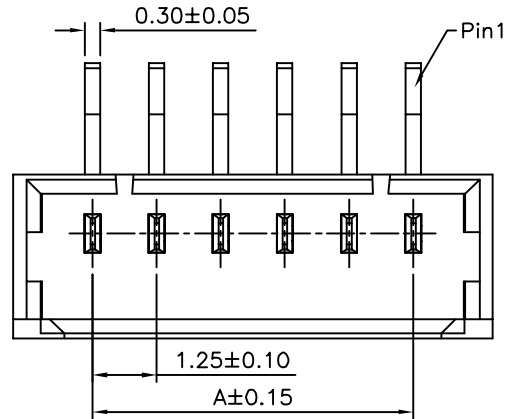
Current Rating:1A AC/DC
 Voltage Rating:125V AC/DC
 Withstand Voltage:250V AC For 1 Minute
 Contact Resistance:20 Milliohms Max.
 Insulation Resistance:100 Megaohms Min.
 Operation Temperature Range:-40°C~+85°C
 Insulator:PA6T(UL94V-0),Nature
 Contact:Phosphor Bronze,Tin Plated
 RoHS Compliant

FH XX R - H H
 (1) (2) (3) (4) (5)

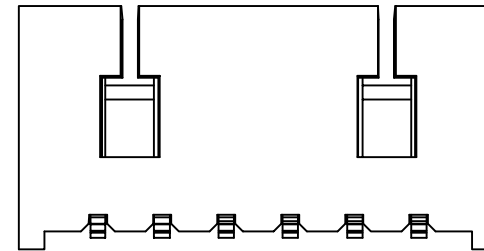
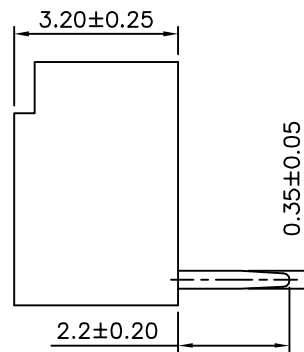
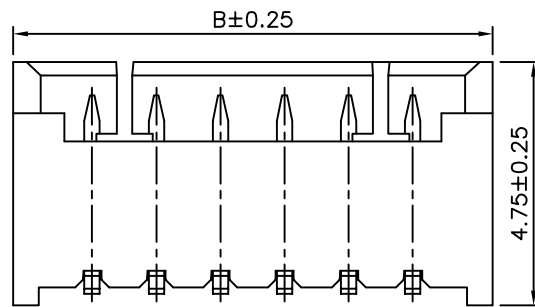
- (1) FH:1.25 FH Series
- (2) XX:No. Of Position
- (3) R:DIP Right Angle
- (4) H:Withstand High Temperature
- (5) H:RoHS Compliant



Recommended P.C.B. Layout



2~3P Single Lock



4~20P Dual Lock

Pin	A	B
2		4.35
3	2.50	5.60
4	3.75	6.85
5	5.00	8.10
6	6.25	9.35
7	7.50	10.60
8	8.75	11.85
9	10.00	13.10
10	11.25	14.35
11	12.50	15.60
12	13.75	16.85
13	15.00	18.10
14	16.25	19.35
15	17.50	20.60
20	23.75	26.85

AUK A MEMBER OF AUK GROUP
太聯事業股份有限公司
AUK CONTRACTORS CO., LTD.

CATEGORY		APPROVED BY		UNLESS OTHERWISE SPECIFIED TOLERANCES ARE
		MEI		
PART No.		CHECKED BY		.X ±0.25 X.* ±5° .XX ±0.15 .X.* ±2° .XXX ±0.08
FHXXR-HH		HZF		
DRAWING No.		DRAWING BY		UNIT mm
FHXXR-HH		SONG		
SCALE	NONE	REV.	A0	NO. REV.

△ A0	NEW RELEASE	HZF	11/05/2010
NO. REV.	REVISIONS	CHK	DATE