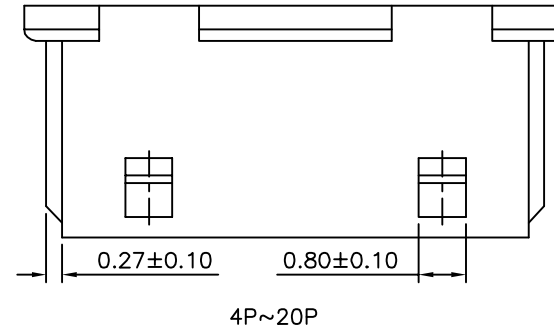
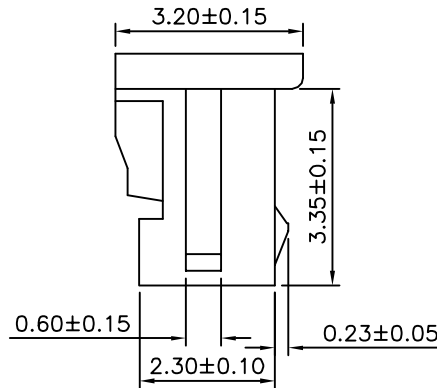
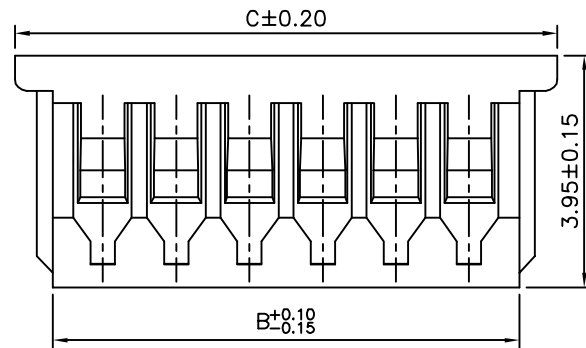
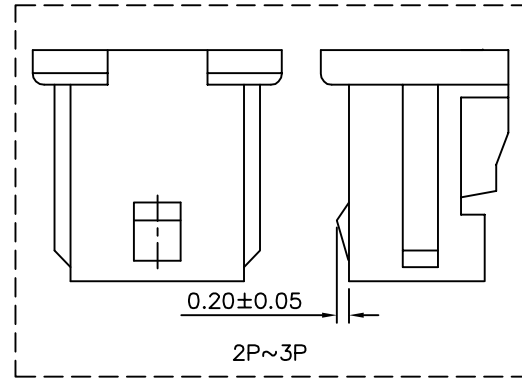
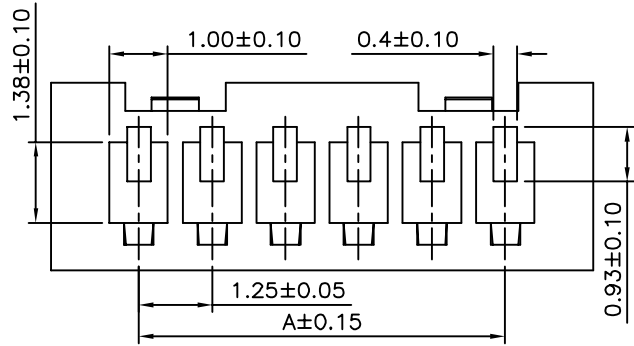


SPECIFICATION

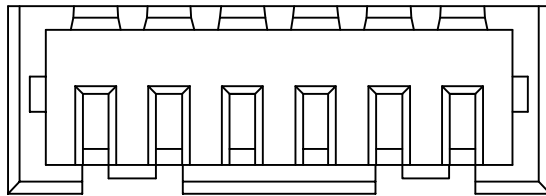
Current Rating:1A AC/DC
 Voltage Rating:125V AC/DC
 Withstand Voltage:250V AC For 1 Minute
 Contact Resistance:20 Milliohms Max.
 Insulation Resistance:100 Megaohms Min.
 Operation Temperature Range:-40°C~+85°C
 Insulator:PA66(UL94V-0),Nature
 RoHS Compliant

FH XX H - H
 (1) (2) (3) (4)

- (1) FH:1.25 FH Series
- (2) XX:No. Of Position
- (3) H:Female Housing
- (4) H:RoHS Compliant



Pin	A	B	C
2		3.00	4.25
3	2.50	4.25	5.50
4	3.75	5.50	6.75
5	5.00	6.75	8.00
6	6.25	8.00	9.25
7	7.50	9.25	10.50
8	8.75	10.50	11.75
9	10.00	11.75	13.00
10	11.25	13.00	14.25
11	12.50	14.25	15.50
12	13.75	15.50	16.75
13	15.00	16.75	18.00
14	16.25	18.00	19.25
15	17.50	19.25	20.50
16	18.75	20.50	21.75
17	20.00	21.75	23.00
18	21.25	23.00	24.25
19	22.50	24.25	25.50
20	23.75	25.50	26.75



AUK A MEMBER OF AUK GROUP
太聯事業股份有限公司
AUK CONTRACTORS CO., LTD.

CATEGORY		APPROVED BY		UNLESS OTHERWISE SPECIFIED TOLERANCES ARE .X ±0.25 X.* ±5* .XX ±0.15 .X.* ±2* .XXX ±0.08
PART No. FHXXH-H		MEI		
DRAWING No. FHXXH-H		CHECKED BY HZF		
		DRAWING BY SONG		
SCALE	NONE	REV.	A0	UNIT mm

△ A0	NEW RELEASE	HZF	11/05/2010
NO./REV.	REVISIONS	CHK	DATE