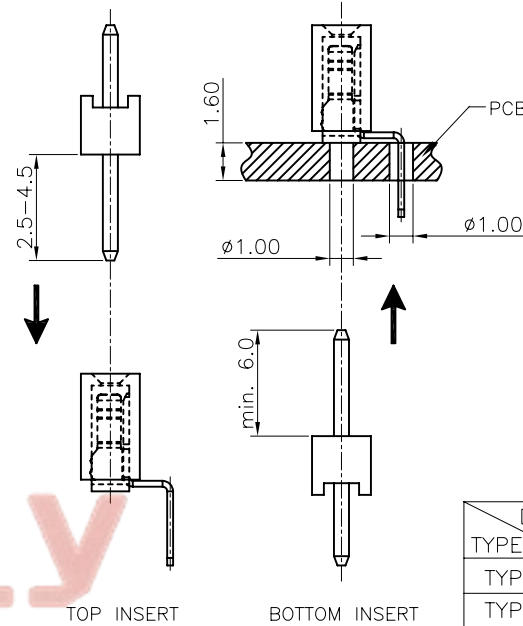
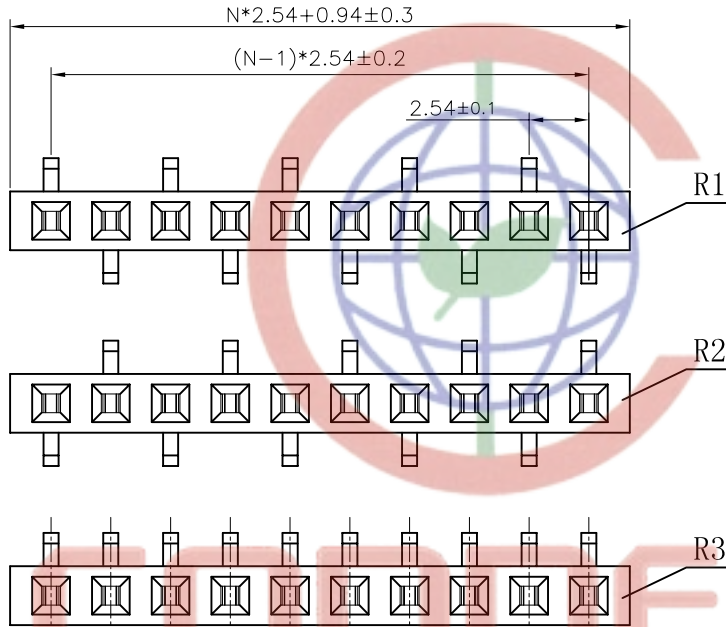


REV.	DESCRIPTION	DRAWN	CHECKED	APPROVED
A	NEW RELEASE	LJC 11/20/07'		

N:NUMBER OF CONTACTS



NOTES:

1. MATERIAL

- 1.1 INSULATOR MATERIAL:THERMOPLASTIC(UL 94V-0).
- 1.2 CONTACT MATERIAL:COPPER ALLOY.

2. SPECIFICATION

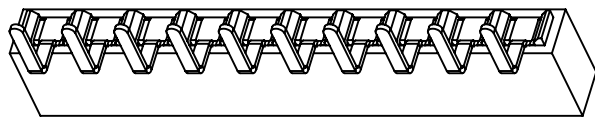
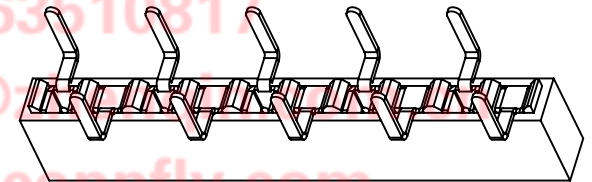
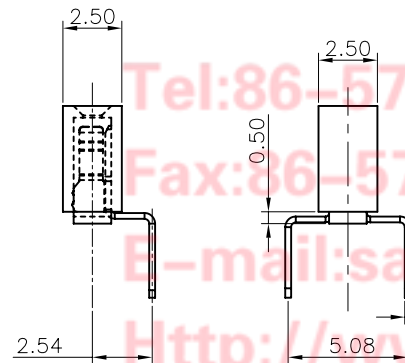
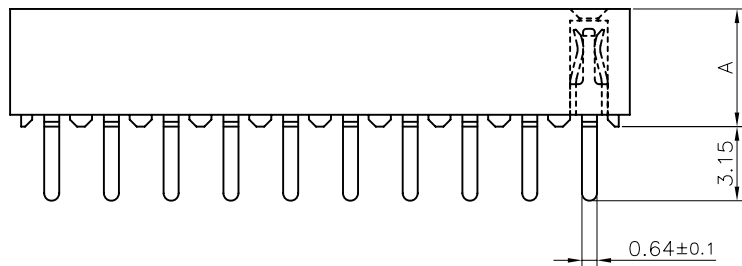
- 2.1 TEMPERATURE:-40° to +105°C.
- 2.2 DIELECTRIC WITHSTANDING VOLTAGE:AC 500V AC.
- 2.3 INSULATION RESISTANCE:1000MΩ min.
- 2.4 CURRENT RATING:3A.
- 2.5 CONTACT RESISTANCE:20mΩ MAXIMUM.


3. PRODUCT NUMBER CODE:

DS1024-04 - X X X X X

- BEND TYPE
- 1: R1 TYPE
- 2: R2 TYPE
- 3: R3 TYPE
- PROFILE HEIGHT(DIM A)
- 1: 8.5mm
- 2: 5.0mm
- CONTACT PLATING
- 8: FULL GOLD FLASH
- 0: Selective gold flash
- MOUNTING TYPE
- V: V/T TYPE
- No. OF POSITIONS
- 1*1 - 1*40

DIM. TYPE	A
TYPE 1	8.50
TYPE 2	5.00



GENERAL TOLERANCE	ANGLE TOLERANCE	PROJECTION	TITLE	FEMALE HEADER PITCH		
X. ±0.60	X. ±5°	mm		2.54mm V/T TYPE DUAL ENTRY		
.X ±0.38	.X ±3°	A4	SHEET SIZE	DS1024-04 SERIES		
.XX ±0.25	.XX ±2°					
DRAWING TYPE	CUSTOMER	 晨翔电子有限公司 CONNFLY CONNFLY ELECTRONIC CO. LTD				
SCALE	1:1				SHEET	1 OF 1
DRAWING NO.	C-DS1024-04-XXXXX					

Tel:86-574-63508787
 Fax:86-574-63510817
 E-mail:sale@connfly.com
 Http://www.connfly.com