

REV.	DESCRIPTION	DRAWN	CHECKED	APPROVED
A	NEW RELEASE	YCH 11/09/08'		

NOTES:

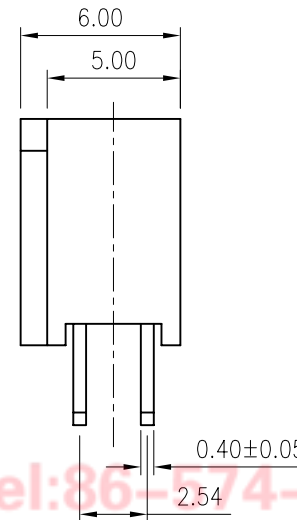
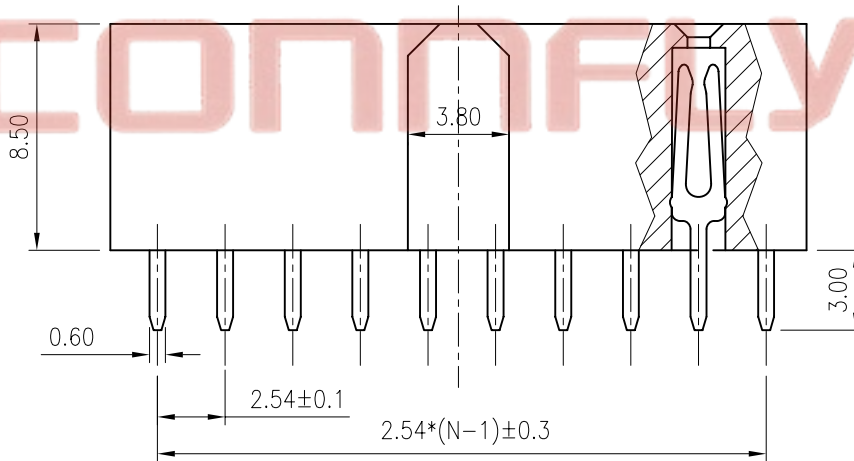
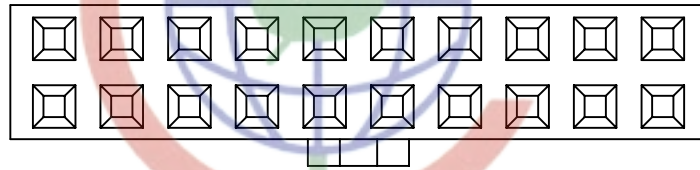
- ELECTRICAL CHARACTERISTICS:
 - CONTACT RESISTANCE: 30mΩ Max. INITIAL.
 - DIELECTRIC WITHSTANDING VOLTAGE: 500V AC(rms) FOR 1 MINUTE.
 - INSULATION RESISTANCE: 1000MΩ Min.
- ENVIRONMENT CHARACTERISTICS:
 - TEMPERATURE RANGE: -40°C~+105°C.
- PRODUCT NUMBER CODE:

DS1023-18- X X X

CONTACT PLATING
 8: FULL GOLD FLASH
 0: SELECTIVE GOLD FLASH

MOUNTIING TYPE
 V: V/T TYPE

No.OF CONTACTS
 2*2-2*40



DUAL ROWS
 N:NUMBER OF CONTACTS/2

GENERAL TOLERANCE		ANGLE TOLERANCE		PROJECTION		TITLE	FEMALE HEADER PITCH 2.54mm W/ POLARIZATION	
X.	±0.60	X.	±5°	UNITS	mm			
.X	±0.38	.X	±3°	SHEET SIZE	A4	SERIES	DS1023-18 SERIES	
.XX	±0.25	.XX	±2°			晨翔电子有限公司 CONNFLY CONNFLY ELECTRONIC CO. LTD		
DRAWING TYPE		CUSTOMER						
SCALE	1:1	SHEET	1 OF 1					
DRAWING NO.		C-DS1023-18-XXX						

Tel:86-574-63508787
 Fax:86-574-63510817
 E-mail:sale@zhenqin.com.cn