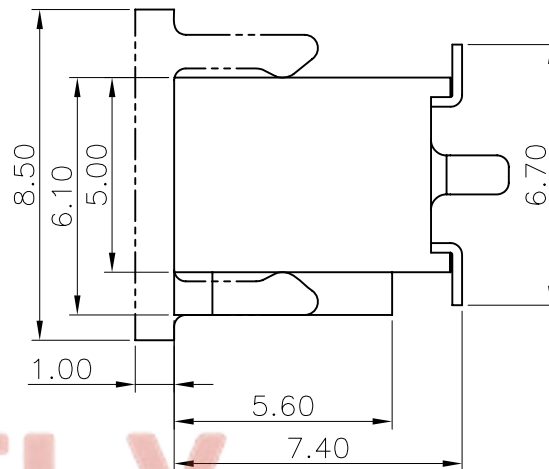
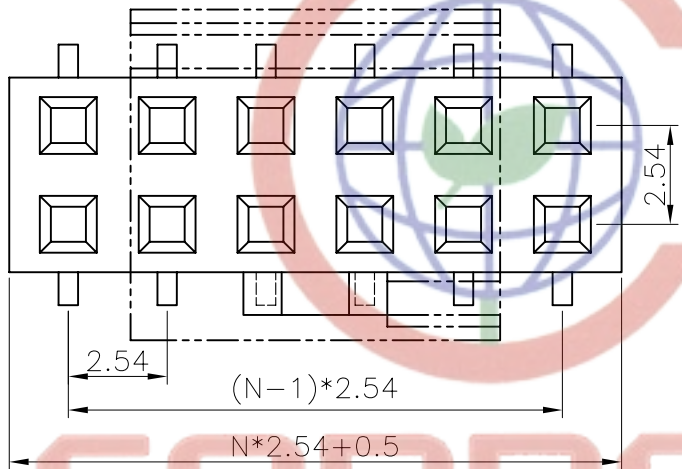


REV.	DESCRIPTION	DRAWN	CHECKED	APPROVED
A	NEW RELEASE	YCH 02/23/08'		

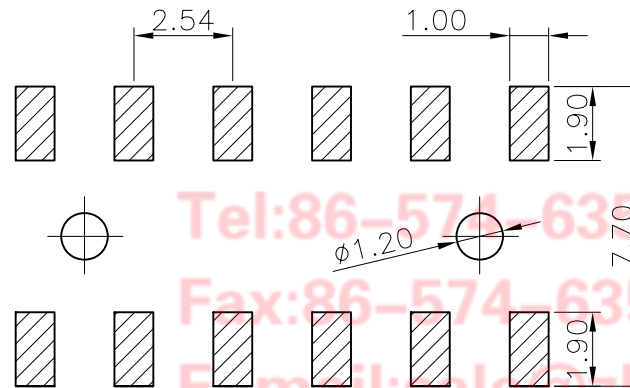
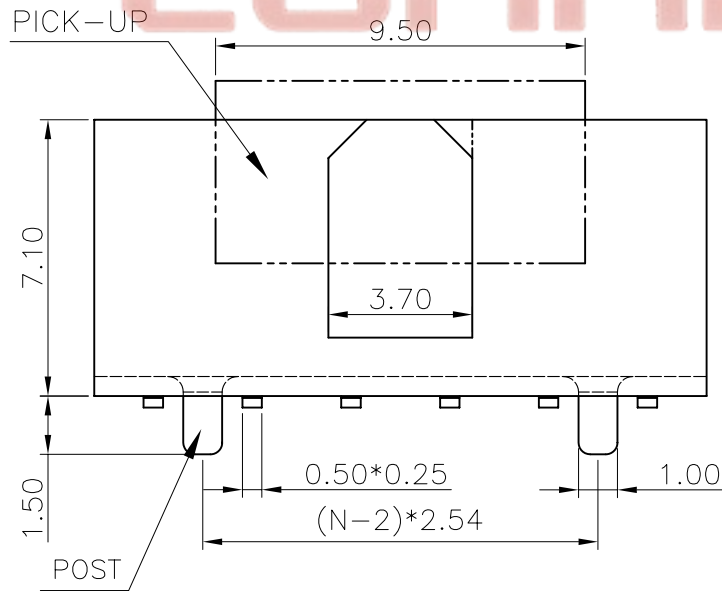


NOTES:

- MATERIAL
 - INSULATOR MATERIAL:THERMOPLASTIC(UL 94V-0).
 - CONTACT MATERIAL:COPPER ALLOY.
- SPECIFICATION
 - TEMPERATURE:-40° to +105°C.
 - DIELECTRIC WITHSTANDING VOLTAGE:AC 500V AC.
 - INSULATION RESISTANCE:1000MΩ min.
 - CURRENT RATING:3A.
- PART NUMBER: DS1023-17
- PRODUCT NUMBER CODE:

DS1023-17 - X X X X X X

- POST SUPPORT
- S:W/ POST
- X:W/O POST
- PACKING TYPE
- T:TRAY
- R:TAPE ON REEL
- B:TUBE
- PICK UP SUPPORT
- S:W/ PICK UP
- X:W/O PICK UP
- CONTACT PLATING
- 8: FULL GOLD FLASH
- 0: Selective gold flash
- HOUSING COLOR
- B:BLACK
- No.OF CONTACTS
- 2*2-2*40



RECOMMEND PCB LAYOUT
(TOLERANCE=±0.05)

GENERAL TOLERANCE		ANGLE TOLERANCE		PROJECTION		TITLE	FEMALE HEADER PITCH 2.54mm
X.	±0.60	X.	±5°	UNITS	mm	SMT TYPE H=7.1mm W/ POLARIZATION	
.X	±0.38	.X	±3°	SHEET SIZE	A4	SERIES	DS1023-17 SERIES
.XX	±0.25	.XX	±2°				
DRAWING TYPE		CUSTOMER		晨翔电子有限公司 CONNFLY CONNFLY ELECTRONIC CO. LTD			
SCALE	1:1	SHEET	1 OF 1				
DRAWING NO.	C-DS1023-17-XXXXXX						

Tel:86-574-63508787
 Fax:86-574-63510817
 E-mail:sale@zhenqin.com.cn
 Http://www.connfly.com
 Add East Industry Zone Ningbo
 P.C:315333