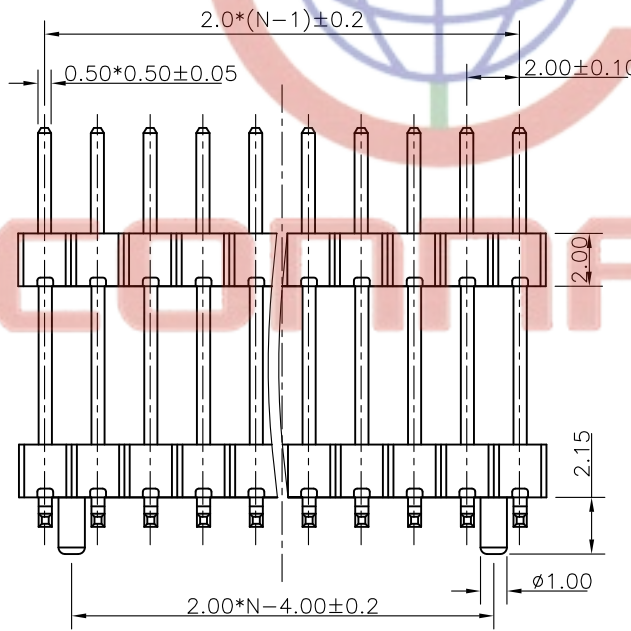
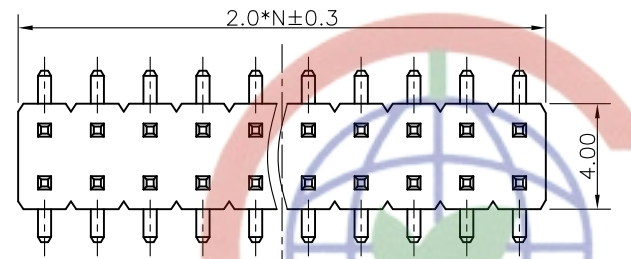
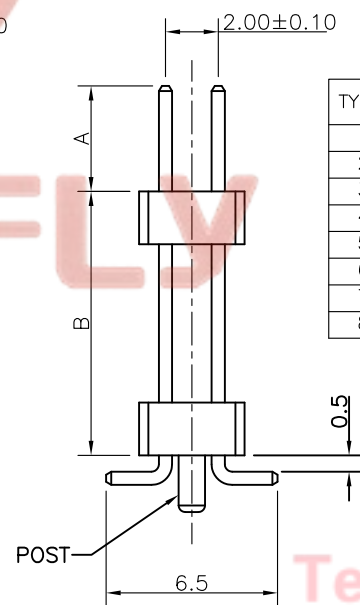


REV.	DESCRIPTION	DRAWN	CHECKED	APPROVED
A	NEW RELEASE	LJH 04/27/05'		



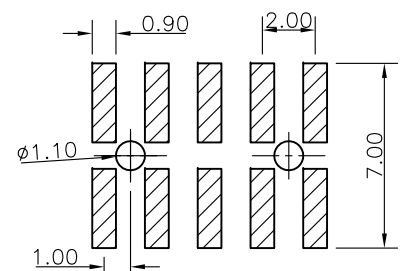
N:NUMBER OF CONTACTS/2



TYPE	DIM A	DIM B
1	6.00	6.00
2	3.00	8.50
3	4.00	8.00
4		
5		
6		
7		
8		

- NOTES:
- MATERIAL
    - INSULATOR:THERMOPLASTIC(UL 94V-0).
    - CONTACT MATERIAL:COPPER ALLOY.
  - SPECIFICATION
    - CURRENT RATING:1.5 Amp.
    - INSULATION RESISTANCE:1000MΩ Min.
    - DIELECTRIC WITHSTANDING:600VAC.
    - CONTACT RESISTANCE:50mΩ Max.
    - OPERATING TEMPERATURE:-40°C TO+105°C.
  - PART NUMBER: DS1030-03
  - PRODUCT NUMBER CODE:  
DS1030-03 - X X X X X X

- POST SUPPORT  
S: W/ POST  
X: W/O POST
- DIM.A B TYPE  
1: TYPE 1  
2: TYPE 2
- MOUNTING TYPE  
S: SMT TYPE
- HOUSING COLOR  
B:BLACK
- CONNECTOR PLATING  
8: FULL GOLD FLASH
- CONNECT TYPE  
P:PLUG
- No.OF CONTACTS  
2\*1-2\*40
- SERIES No.  
DS1030-03



RECOMMEND PCB LAYOUT(TOLERANCE=±0.05)

Tel:86-574-63508787  
 Fax:86-574-63510817  
 E-mail:sale@zhenqin.com.cn  
 Http://www.connfly.com

GENERAL TOLERANCE	ANGLE TOLERANCE	PROJECTION		TITLE	2.0mm PITCH PIN HEADER
X. ±0.60	X. ±5°	UNITS	mm		DUAL ROW W/N LOCATE PEG S.M.T.
.X ±0.38	.X ±3°	SHEET SIZE	A4	SERIES	DS1030-03 SERIES
.XX ±0.25	.XX ±2°				
DRAWING TYPE	CUSTOMER				
SCALE	1:1	SHEET	1 OF 1		
DRAWING NO.	C-DS1030-03-XXXXXXX				

晨翔电子有限公司  
**CONNFLY CONNFLY ELECTRONIC CO. LTD**