

CPUN Series



CPUN Series is designed for low RDC and ultra large current application. Its assembly model and magnetic shielding is suitable for high-density mounting and ultra low buzz noise. Soldering conditions can be easily confirmed when mounting onto board. This series also provides customers with embossed carrier type packaging for automatic mounting machine.

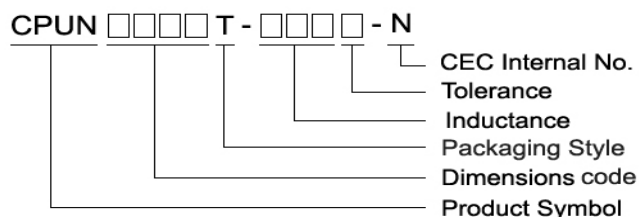
Features

- Lead free
- Excellent for power line DC-DC conversion applications
- Shielded construction
- Lowest DCR/uH in this package size
- Handle high transient current spikes without saturation
- Ultra low buzz noise due to composite construction
- Support halogen free product

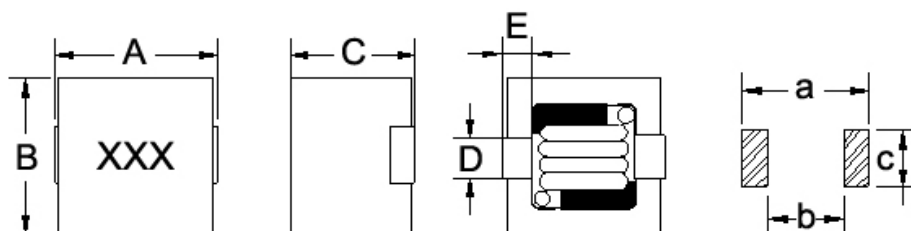
Applications

- Power switching for personal computers and other handheld electronic devices

Product Identification



Shape and Dimensions



Dimensions in mm

TYPE	A	B	C	D	E	a	b	c
CPUN0806	8.8 ⁺⁰	8.4 ⁺⁰	7.0 ⁺⁰	2.3±0.2	1.5±0.2	9.2	4.4	3.0
CPUN1009	11.3 ⁺⁰	10.3 ⁺⁰	9.5 ⁺⁰	3.0±0.2	1.6±0.2	11.3	6.9	3.6
CPUN1210	12.3 ⁺⁰	11.7 ⁺⁰	10.0 ⁺⁰	3.5±0.2	2.0±0.2	12.8	7.0	5.4

Electrical Characteristics

Part Number	Inductance (μ H)	Tolerance (\pm %)	Test Frequency (KHz)	RDC ($m\Omega$) Max	Isat (A) Max	Irms (A) Max
CPUN0806T-R33M-N	0.33	20	100	2.7	45	22
CPUN0806T-R47M-N	0.47	20	100	3.1	40	20
CPUN0806T-R56M-N	0.56	20	100	3.1	30	20
CPUN0806T-R68M-N	0.68	20	100	3.1	24	20
CPUN0806T-R82M-N	0.82	20	100	4.2	21	18
CPUN0806T-1R0M-N	1.0	20	100	5.8	19	15
CPUN0806T-1R2M-N	1.2	20	100	5.8	16	15
CPUN1009T-R56M-N	0.56	20	100	2.0	50	26
CPUN1009T-1R0M-N	1.0	20	100	3.0	40	21
CPUN1009T-2R0M-N	2.0	20	100	5.7	35	16
CPUN1009T-3R3M-N	3.3	20	100	11.5	28	11
CPUN1009T-4R7M-N	4.7	20	100	11.5	12	11
CPUN1009T-6R8M-N	6.8	20	100	26	10	7
CPUN1210T-R22M-N	0.22	20	100	1.5	50	37
CPUN1210T-R33M-N	0.33	20	100	1.5	45	37
CPUN1210T-R47M-N	0.47	20	100	1.8	45	35
CPUN1210T-R56M-N	0.56	20	100	1.8	45	35
CPUN1210T-R68M-N	0.68	20	100	1.8	40	35
CPUN1210T-R82M-N	0.82	20	100	2.4	38	30
CPUN1210T-1R0M-N	1.0	20	100	2.4	34	30
CPUN1210T-1R5M-N	1.5	20	100	2.4	29	25
CPUN1210T-2R2M-N	2.2	20	100	4.7	25	21
CPUN1210T-3R3M-N	3.3	20	100	6.3	19	14

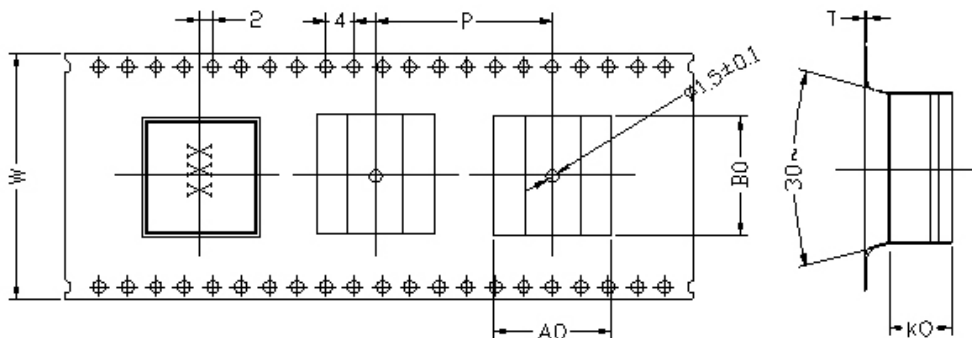
- Isat for inductance drops 20% from its value without current
- I rms for a 40°C rise above 25°C ambient.
- Customized Specifications are available.
- Tested L: WK4237METER

RDC: HK502BC METER

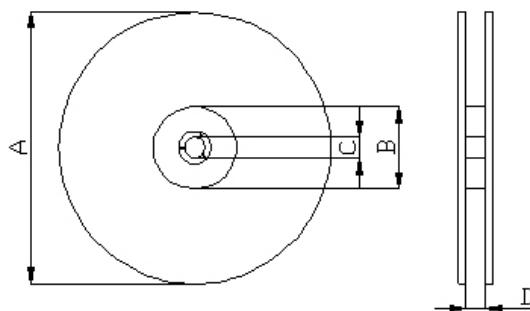
Isat \ I rms : WK3260B/ 3265B METER

Packaging Specifications

Tape Dimensions



Reel Dimensions



Dimensions in mm

TYPE	Tape Dimensions						Reel Dimensions				Quantity	
	A0	B0	K0	P	W	T	A	B	C	D	BULK	PCS / REEL
CPUN0806	8.05	9.00	7.25	16	24	0.5	330	100	13	24.5	✓	500
CPUN1009	10.35	11.8	9.40	16	24	0.5	330	100	13	24.5	✓	400
CPUN1210	11.60	12.4	9.80	20	24	0.5	330	100	13	24.5	✓	300