



ISO9001 & ISO14001 & TS16949 **CHILISIN ELECTRONICS CORP.**

Lead-Free & RoHs Compliance!!

SPECIFICATION FOR APPROVAL

CUSTOMER : _____

CUSTOMER P/N : _____

OUR DWG No : _____

QUANTITY : 0 Pcs. **DATE :** 2013/08/07

ITEM : BC0610R6H-B246-3.0-N

SPECIFICATION ACCEPTED BY:	
COMPONENT ENGINEER	
ELECTRICAL ENGINEER	
MECHANICAL ENGINEER	
APPROVED	
REJECTED	

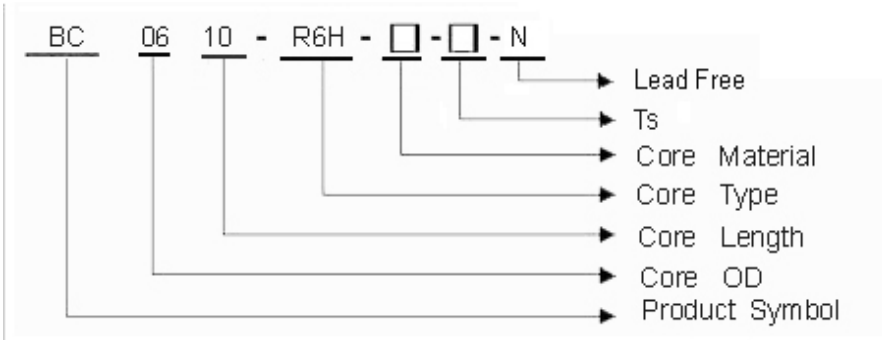
<p>奇力新電子股份有限公司 CHILISIN ELECTRONICS CORP. NO.29,LANE 301,TEHHSIN ROAD,HUKOU, HSINCHU,TAIWAN,303, REPUBLIC OF CHINA TEL : (03) 599-2646 FAX : (03) 599-9176 E-mail : Sales@chilisin.com.tw http : //www.chilisin.com.tw</p> <p>台北營業處 Taipei Office 1F., No.2, Aly. 1, Ln. 235, Baoqiao Rd., Xindian Dist., New Taipei City 231, Taiwan TEL : +886-2-6629-5588~9 FAX : +886-2-6629-0088 E-mail : Sales@chilisin.com.tw</p>	<p>東莞奇力新電子有限公司 Chilisin Electronics (Dongguan) Co., Ltd. No. 78, Puxing Rd., Yuliangwei Administration Area, Qingxi Town, Dongguan City, Guangdong,China TEL : +86-769-8773-0251~3 FAX : +86-769-8773-0232 E-mail : cect@chilisin.com.tw</p> <p>奇力新電子(蘇州)有限公司 Chilisin Electronics (Suzhou) Co., Ltd. No.143,Song Shan Rd., Suzhou New District, Suzhou,China Postal Code:215129 TEL:+86-512-6841-2350 FAX:+86-512-6841-2356 E-mail : suzhou@chilisin.com.tw</p>
---	---

DRAWN BY 李鐸方 mick.lee	CHECKED BY 溫美玲 ling	APPROVED BY JACKY鍾 jacky.chung
---------------------------------	-------------------------------	--

BC0610R6H Series Specification

1 Scope: This specification applies to EMI Ferrite Beads

2 Part Numbering: Product Identification



3 Rating:

Operating Temperature: -25°C~105°C (Including self-temperature rise)

Storage Temperature: Under 25°C, Humidity < 75% RH

4 Marking:

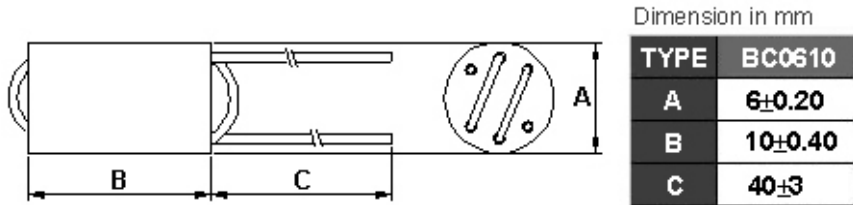
No Marking

5 Standard Testing Condition

	Unless otherwise specified	In case of doubt
Temperature	Ordinary Temperature(15 to 35°C)	20±2°C
Humidity	Ordinary Humidity(25 to 85% RH)	60 to 70 % RH

BC0610R6H Series Specification

6 Configuration and Dimensions:



7 ELECTRICAL CHARACTERISTICS :

Part No.	Z (Ω) min	Test Freq (MHz)	Rated Current (A)
BC0610R6H-B246-3.0-	670	100	3

NOTE:

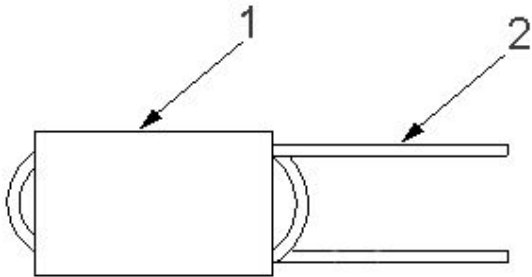
1. Operating temperature range – 25°C ~ 105°C (Including self - temperature rise)
2. Rate Current : Applied the current to coils, the temperature rise shall not be more than 30°C

"-N" FOR COMPLETELY LEAD FREE TYPE(INCLUDING FERRITE BODY & SOLDER)

BC0610R6H Series Specification

8 BC0610R6H Series

8.1 Construction:



8.2 Material List:

NO	PART	MATERIAL
1	CORE	Ni-Zn
2	Tin	0.5 Φ covered wire



BC0610R6H Series Specification

9 Reliability Of WIDE BAND CHOKES(BC0610/BC0510 SERIES)

1-1.Mechanical Performance

No	Item	Specification	Test Method
1-1-1	Vibration	Appearance: No damage Impedance: within $\pm 20\%$ of initial value	Test device shall be soldered on the substrate Oscillation Frequency: 10 to 55 to 10Hz for 1min Amplitude: 1.5mm Time: 2hrs for each axis (X, Y & Z), total 6hrs

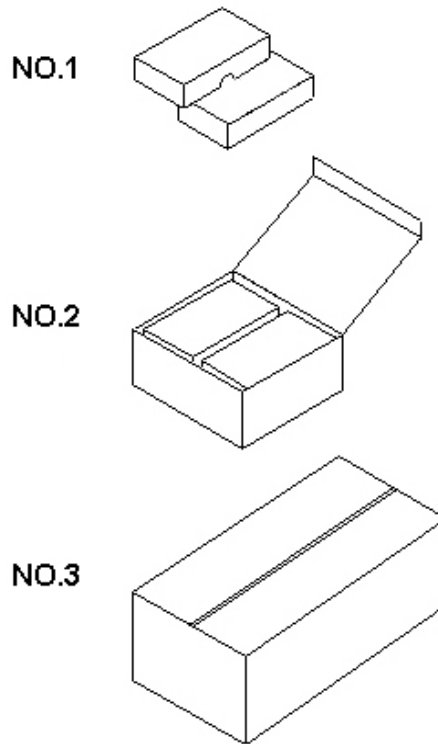
1-2.Environmental Performance

No	Item	Specification	Test Method		
1-2-1	Temperature Cycle	Appearance: No damage Impedance: within $\pm 20\%$ of initial value	One cycle:		
			Step	Temperature ($^{\circ}\text{C}$)	Time (min)
			1	-25 ± 3	30
			2	25 ± 2	3
			3	105 ± 3	30
4	25 ± 2	3			
			Total: 100cycles Measured after exposure in the room condition for 24hrs		
1-2-2	Humidity Resistance		Temperature: $40\pm 2^{\circ}\text{C}$ Relative Humidity: 90 ~ 95% Time: 1000hrs Measured after exposure in the room condition for 24hrs		
1-2-3	High Temperature Resistance		Temperature: $85\pm 3^{\circ}\text{C}$ Relative Humidity: 0% Applied Current: Rated Current Time: 1000hrs Measured after exposure in the room condition for 24hrs		
1-2-4	Low Temperature Resistance		Temperature: $-25\pm 3^{\circ}\text{C}$ Relative Humidity: 0% Time: 1000hrs Measured after exposure in the room condition for 24hrs		

BC0610R6H Series Specification

11 PACKAGING

Packing Quantity & Dimensions



TS/Quantity.	NO.1	NO.2	NO.3
1.5	200PCS	800PCS	3200PCS
1.5*2	150PCS	600PCS	2400PCS
2.5	200PCS	800PCS	3200PCS
3.0	300PCS	1200PCS	4800PCS
Carton dimensions in mm	148L*80W*33H	175L*165W*85H	365L*185W*175H

12 Note:

1. Please make sure that your product is has been evaluated and confirmed against your specifications when our product is mounted to your product.
2. Do not knock nor drop.
3. All the items and parameters in this product specification have been prescribed on the premise that our product is used for the purpose,under the condition and in the environment agreed upon between you and us. You are requested not to use our product deviating from such agreement.
4. Please keep the distance between transformer/coil and other components (refer to the standard IEC 950)



BC0610R6H Series Specification

13 Curve:

