



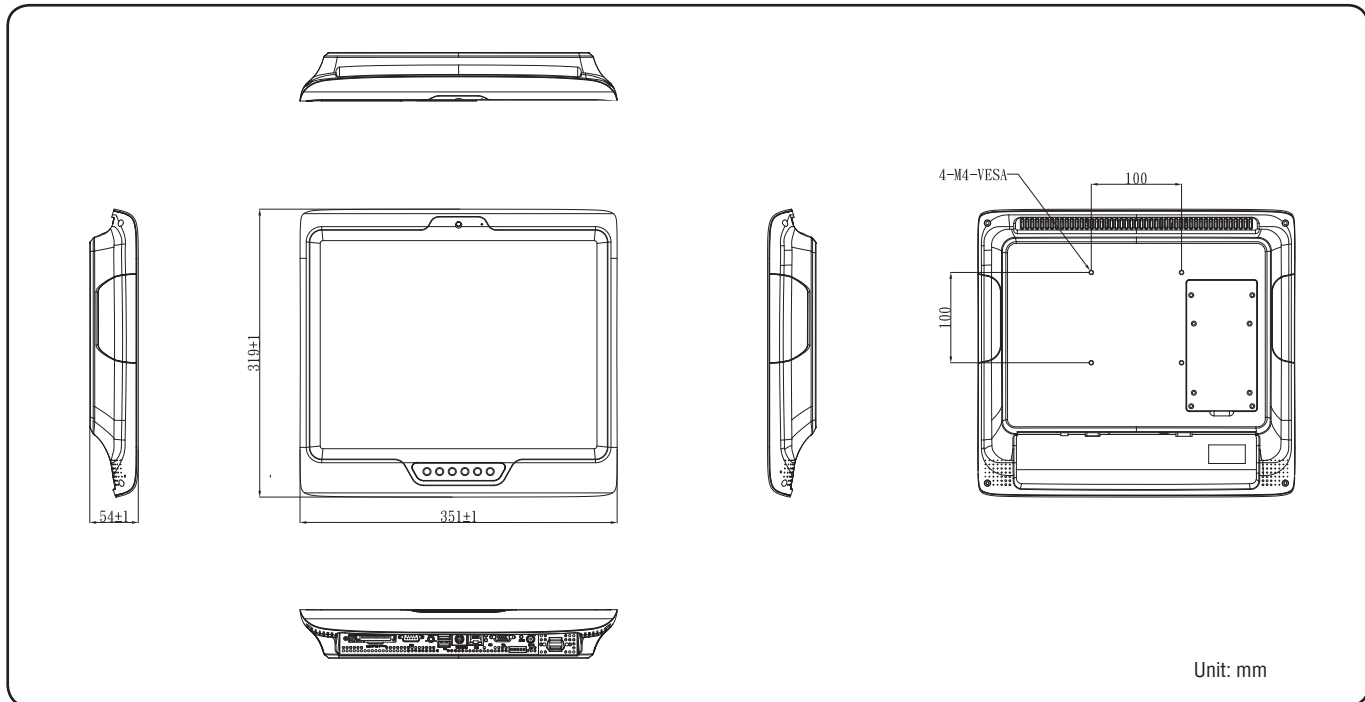
## Features

- 15" 5-wire Resistive XGA TFT
- PPC-1525: Intel® Atom™ D525 Dual Core 1.8GHz CPU  
PPC-1527: Intel® Atom™ D2550 1.86GHz CPU
- GbE, Audio, 2 x 2W Speaker
- 1 CF, 2 USB, 2 COM & 1 Mini PCIe
- Wide Voltage +12V ~ +26V, ErP Power
- Power-On Timer
- Fanless Operation, VESA Compliance
- Programmable Function Key
- IP-65 Compliant Front Panel

## Specifications

Model Name	PPC-1525	PPC-1527
• <b>LCD Size</b>	15", 4:3	15", 4:3
• <b>Resolution, Color</b>	1024 x 768 XGA, 16.7M	1024 x 768 XGA, 16.7M
• <b>Pixel Pitch</b>	0.297mm (H) x 0.297mm (V)	0.297mm (H) x 0.297mm (V)
• <b>Luminance</b>	300cd/m <sup>2</sup>	300cd/m <sup>2</sup>
• <b>Contrast Ratio</b>	700	700
• <b>Viewing Angle</b>	70 (U), 70 (D), 75 (L), 75 (R)	70 (U), 70 (D), 75 (L), 75 (R)
• <b>Response Time</b>	8ms	8ms
• <b>Backlight</b>	CCFL	CCFL
• <b>Touch Screen</b>	5-wire Resistive	5-wire Resistive
• <b>Light Transmission</b>	80%	80%
• <b>Touch Interface</b>	USB (Onboard Touch EETI)	USB (Onboard Touch EETI)
<b>System</b>		
• <b>Board</b>	EBM-PNV	EBM-CDV
• <b>CPU</b>	Onboard Intel® Atom™ D525 Dual Core 1.8GHz CPU	Onboard Intel® Atom™ D2550 1.86GHz CPU
• <b>System Chipset</b>	Intel® ICH8-M Chipset	Intel® NM10 Chipset
• <b>I/O Chip</b>	Nuvoton W83627DHG-P	E/C IT8518E
• <b>System Memory</b>	One 204-pin SODIMM Supports Up to 4GB DDR3 800MHz SDRAM	One 204-pin SODIMM Supports Up to 4GB DDR3 1066MHz SDRAM
• <b>SSD</b>	One CF Socket Supports Type I/II Compact Flash Card	One CF Socket Supports Type I/II Compact Flash Card
• <b>Hard Drive Bay</b>	One 2.5" SATA HDD/ SSD	One 2.5" SATA HDD/ SSD
• <b>WiFi</b>	Optional USB or Mini PCIe WiFi Module	Optional USB or Mini PCIe WiFi Module
• <b>Watchdog Timer</b>	Reset: 1 ~ 255min. and 1sec. or 1min./step	Reset: 1 ~ 255min. and 1sec. or 1min./step
• <b>H/W Status Monitor</b>	Monitoring System Temperature, Voltage, with Auto Throttling Control	Monitoring System Temperature, Voltage, with Auto Throttling Control
• <b>Expansion</b>	1 x Mini PCIe Slot	1 x Mini PCIe Slot
• <b>Camera</b>	Optional 2.0M Pixel Camera with Microphone	Optional 2.0M Pixel Camera with Microphone
• <b>RFID</b>	Optional Mifare 14443A RFID Module	Optional Mifare 14443A RFID Module
<b>Rear Panel I/O</b>		
• <b>Serial Port</b>	2 x RS-232	2 x RS-232
• <b>Ethernet</b>	1 x RJ-45 (Intel® 82574L Gigabit Ethernet, Optional Dual 82574L Gigabit Ethernet)	1 x RJ-45 (Intel® 82574L Gigabit Ethernet, Optional Dual 82574L Gigabit Ethernet)
• <b>VGA</b>	1 x DB-15	N/A
• <b>HDMI</b>	N/A	1 x HDMI
• <b>Audio</b>	1 x Line-out (Realtek ALC888 Supports 5.1-CH Audio)	1 x Line-out (Realtek ALC892 Supports 5.1-CH Audio)
• <b>USB</b>	2 x USB 2.0	2 x USB 2.0
• <b>Mouse &amp; K/B</b>	1 x PS/2 KB & MS	1 x PS/2 KB & MS
• <b>Speaker</b>	2 x 2W Speaker	2 x 2W Speaker

## Diagram



### Environment & Mechanical

• <b>Color</b>	Front Panel White & Rear Gary (Plastic)
• <b>Mounting</b>	Wall/ Stand/ VESA 100mm X 100mm
• <b>System Power Requirement</b>	+12V ~ +26V DC Power Input
• <b>Power Adapter</b>	Input: 100 ~ 250Vdc/ 47 ~ 63Hz Output: 60W Adapter (12V @ 5A Adapter)
• <b>Operating Temperature</b>	0 ~ 40°C (32 ~ 104°F)
• <b>Storage Temperature</b>	-10 ~ 50°C (14 ~ 122°F)
• <b>Relative Humidity</b>	0% ~ 90% Relative Humidity, Non-condensing
• <b>Dimensions (W x D x H)</b>	351mm X 319mm X 54mm
• <b>Weight</b>	4.9Kgs

## Ordering Information

- **PPC-1525**  
15" XGA TFT Plastic Panel PC with Intel® Atom™ D525 Dual Core 1.8GHz CPU
- **PPC-1527**  
15" XGA TFT Plastic Panel PC with Intel® Atom™ D2550 1.86GHz CPU
- **ACC-WIFI-PCIE-8R**  
WM5201 802.11b/g/n Mini Card w/ Antenna for PPC Series
- **ACC-ARM-D1R**  
VESA STAND, 75 & 100mm
- **ADD-ARM-D23R**  
L Type Stylish Table Stand VESA 75 & 100mm
- **ACC-CF-XX**  
CompactFlash Card Series (xx=Capacity, Capacity Option: 128, 256, 512MB, 1, 2, 4, 8GB)

- 1 LPC Series
- 2 SPC Series
- 3 FPC Series
- 4 PPC Series
- 5 APC Series
- 6 BPC Series
- 7 UPC Series
- 8 MPC Series
- 9 OPM Series
- 10 AID Series
- 11 MTP Series
- 12 OPC Series
- 13 RISC
- 14 Accessories