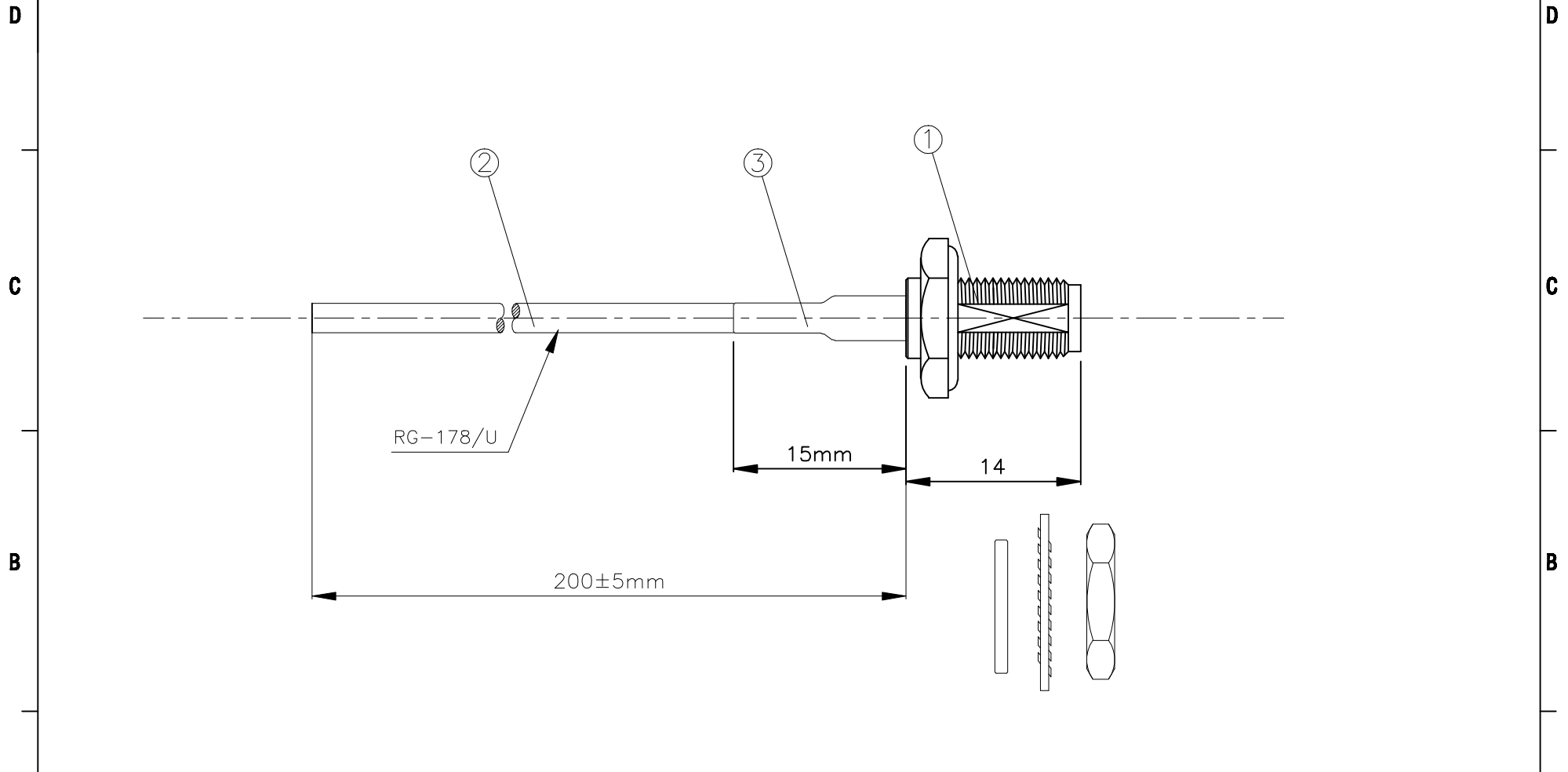
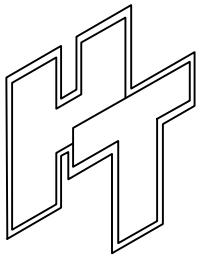


NO	DESCRIPTION	Q'TY	FINISH	PART NUMBER	REMARK
1	CONNECTOR	1	GOLD	SMA-05M-TGG	
2	CABLE	0.2		M17/093-RG-178	
3	SHRINKING TUBE	1	BLACK	RU-0033	
4	ASSEMBLY	1		L-019330807	



	HUS-TSAN GROUP CO., LTD.		DRAWN 蘇姿潔	DATE 100.11.17	DIMENSIONS ARE IN MILLIMETERS			REVISION	
	P.O.BOX 40-76.TAINAN.TAIWAN,R.O.C.		CHECKED 蘇志欣	DATE 100.11.17				UNLESS OTHERWISE SPECIFIED TOLERANCE	
	TITLE SMA JACK-CUT END RG-178/U		Q.A. 林妙樺	DATE	0.5-5=±0.2	120-315=±1			
	PART NO. 019330807		APPROVAL 徐燦霖	DATE	5-30=±0.4	315-1000=±1.6			
	DRAWING NO. 019330807		REVISION	DATE	30-120±0.6	1000-2000=±2.4			
				SCALE 4:1	SIZE A				