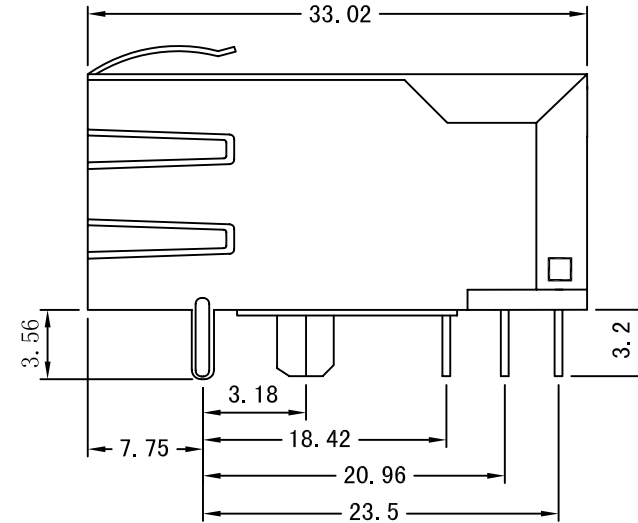
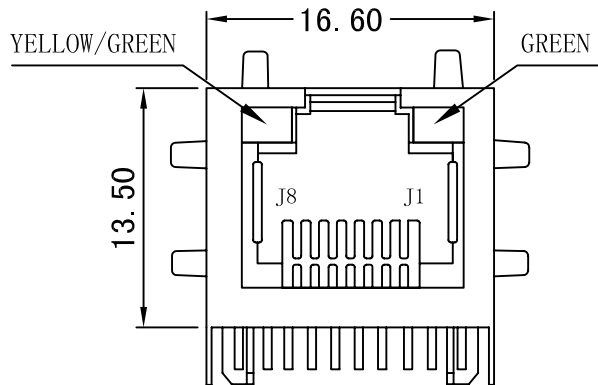


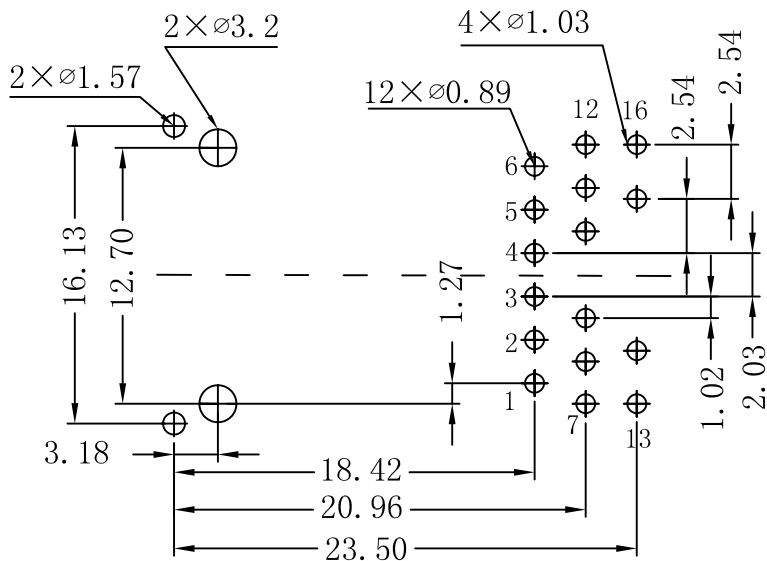
# Mechanical :

REV.	ECN NO.	DESCRIPTION	DATE	APPD
A	REL		09/03/2007	



## NOTES:

1. Designed to support application, such as SOHO (ADSL modems), LAN-on-Motherboard (LOM), hub and Switches.
2. Meets IEEE 802.3 specification
3. Connector Materials:  
 Housing: Thermoplastic UL94V-0  
 Contact/Shield: Copper alloy  
 Shield plating: Nickel  
 Contact plating: Gold 6 micro-inches min. In contact area.
4. Wave solder tip temperature: 265°C Max  
 Wave solder tip temperature time: 5 Sec Max
5. UL Certification: File Number E321120



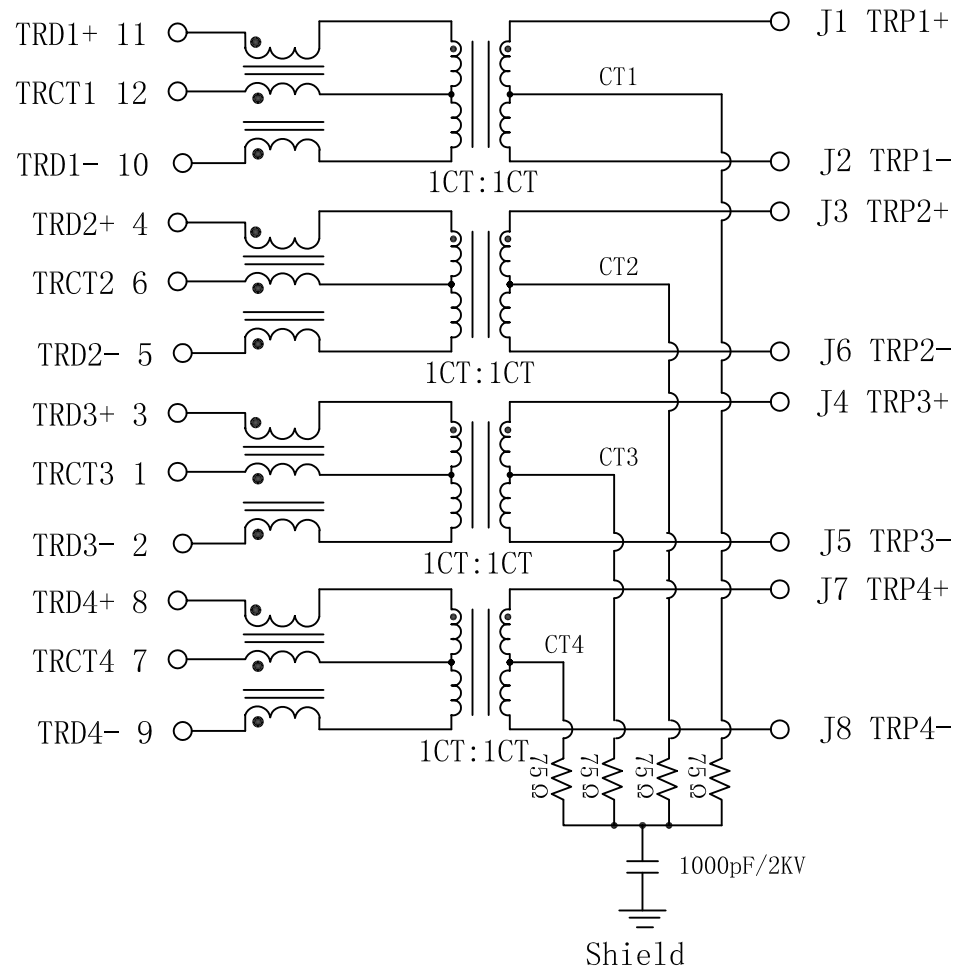
SUGGESTED PCB LAYOUT (TOP VIEW)



X:X	±0.20	APPD:	Trxcom	
X:XX	±0.10	CHKD:	ShenZhen Trxcom Electronics Co., ltd	
X:XXX	±0.05	DR: C. H. Y	Title: RJ45 Connector with 1000Base-TX Integrated Magnetic	
ANGLES	±1°	UNIT: mm	PART NO.: TRJK0036AINL	
	SCALE: 2/1	SHEET: 1/2	REV: A	DWG NO.:

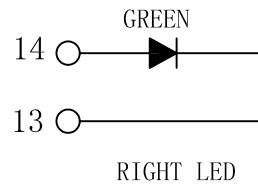
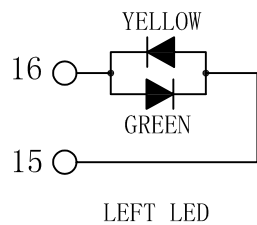
# Schematic:

REV.	ECN NO.	DESCRIPTION	DATE	APPD
A	REL		09/03/2007	



## Electrical Specifications @25°C

- Turns Ratio ( $\pm 2\%$ ):  
TX=1CT:1CT      RX=1CT:1CT
- 350uH min OCL with 8mA bias current.
- Insertion Loss:  
1-100MHz: -1.0dB MAX
- Return Loss (dB MIN):  
1-10MHz: -20;      30MHz: -16  
60-80MHz: -12      80-100MHz: -10
- Crosstalk (dB MIN):  
1-10MHz: -40;      32-65MHz: -35  
65-100MHz: -30
- CMR (dB MIN):  
1-125MHz: -30;      125-500MHz: -20
- HI-POT: 1500V
- Operating Temperature: 0°C ~ 70°C.



X:X	$\pm 0.20$	APPD:	<i>Trxcom</i>	
X:XX	$\pm 0.10$	CHKD:	ShenZhen Trxcom Electronics Co.,ltd	
X:XXX	$\pm 0.05$	DR: C. H. Y	Title: RJ45 Connector with 1000Base-TX Integrated Magnetic	
ANGLES	$\pm 1^\circ$	UNIT: mm	PART NO.: TRJK0036AINL	
	SCALE: 2/1	SHEET: 2/2	REV: A	DWG NO.: