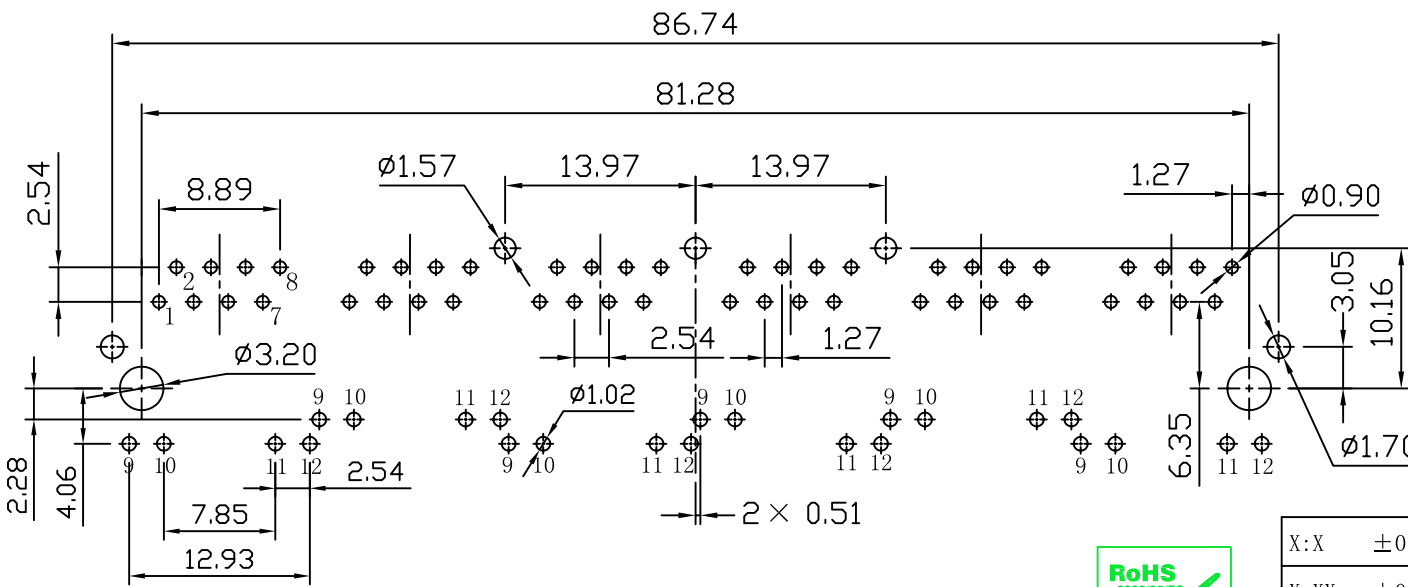
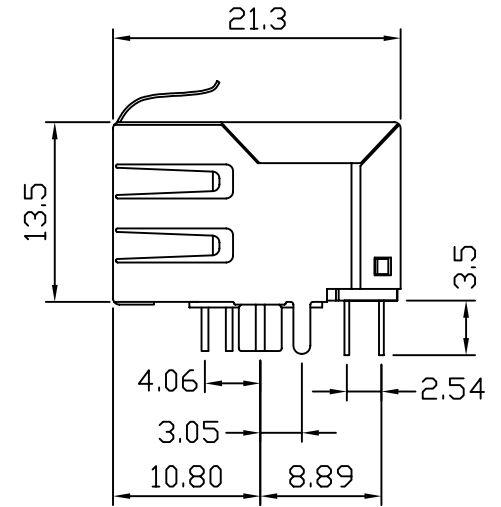
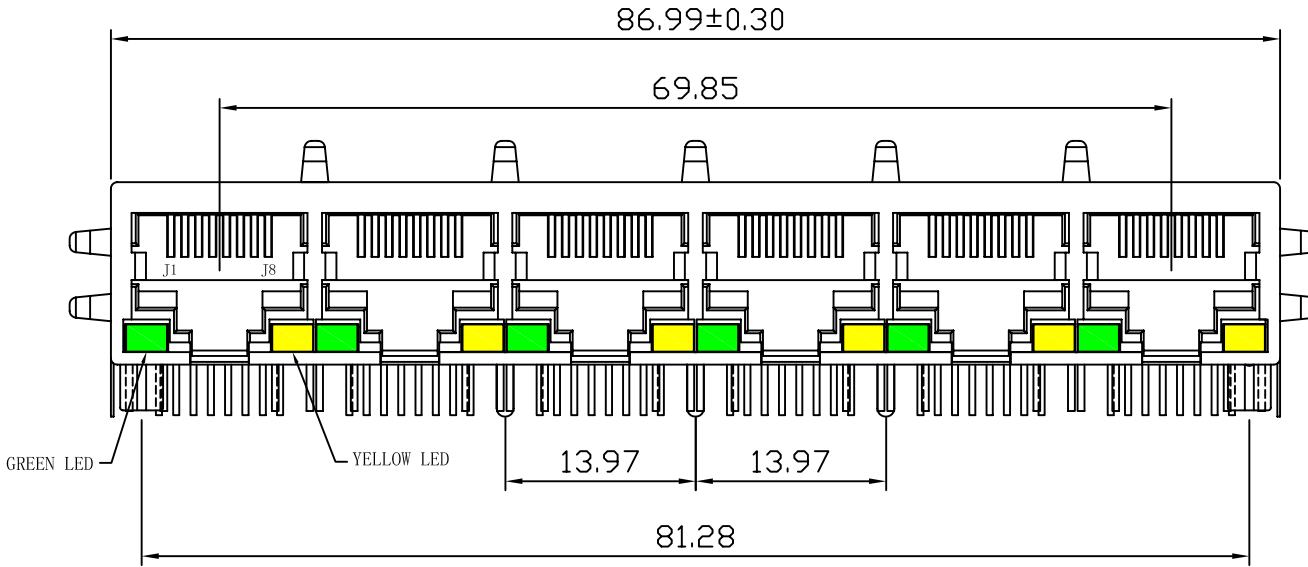


Mechanical:

| REV. | ECN NO. | DESCRIPTION | DATE | APPD |
|------|---------|-------------|------------|------|
| A | REL | | 2010/09/02 | |



SUGGESTED PCB LAYOUT (TOP VIEW)



NOTES:

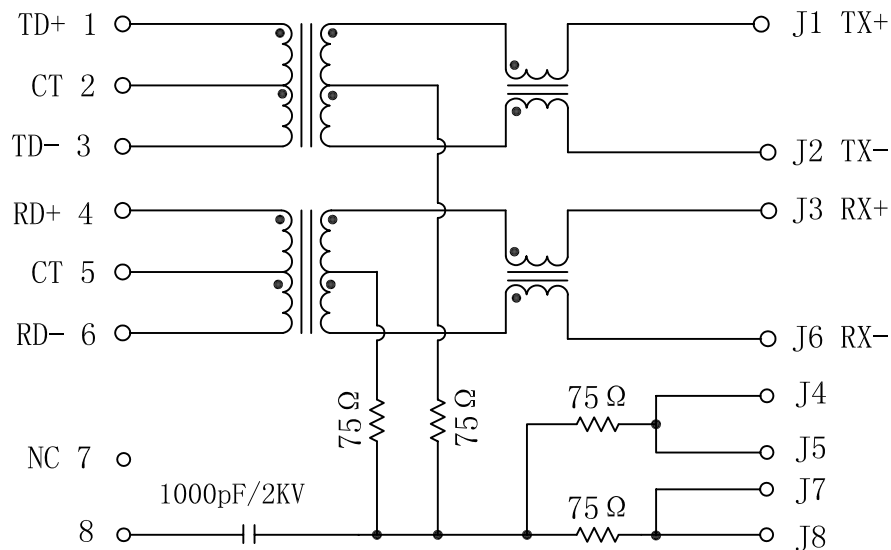
1. Designed to support application, such as SOHO (ADSL modems), LAN-on-Motherboard (LOM), hub and Switches.
2. Meets IEEE 802.3 specification
3. Connector Materials:
Housing: Thermoplastic UL94V-0
Contact/Shield: Copper alloy
Shield plating: Nickel
Contact plating: Gold 6 micro-inches min. In contact area.
4. Wave peak temperature: 260°C, 5Sec.
5. UL Certification: File Number E321120

| | | | |
|-------------|-------------|---|-----------------------------|
| X:X ±0.25 | APPD: | Trxcom | |
| X:XX ±0.20 | CHKD: | ShenZhen Trxcom Electronics Co., ltd | |
| X:XXX ±0.05 | DR: C. H. Y | TITLE: RJ45 Connector With 10/100 Base-TX Integrated Magnetic | |
| ANGLES ±1° | UNIT: mm | PART NO.: TRJ66201AENL | |
| | SCALE: 2/1 | SHEET: 1/2 | REV: A DWG NO.: TRC10090208 |

Schematic:

| REV. | ECN NO. | DESCRIPTION | DATE | APPD |
|------|---------|-------------|------------|------|
| A | REL | | 2010/09/02 | |

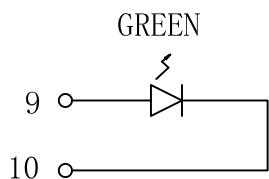
PCB CONNECTIONS



RJ45 CONNECTOR

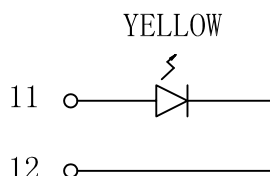
Electrical Specification @25°C

- Turns Ratio ($\pm 2\%$) :
TX=1CT:1CT RX=1CT:1CT
- OCL: 350uH Min
@100KHz, 0.1V, 8mA DC Bias
- Insertion Loss:
1~100MHz:-1.0dB MAX
- Return Loss(dB MIN) :
1~30MHz:-16 30~60MHz:-12
60~80MHz:-10
- Crosstalk(dB MIN) :
1~30MHz:-40 30~60MHz:-35
60~100MHz:-30
- CMR(dB MIN) :
1~50MHz:-40 50~150MHz:-30
- Hi-Pot: 1500V AC 6S 1mA
- Operating Temperature: 0°C~70°C.



LEFT LED

| LED POLARITY | | COLOR |
|--------------|--------|-------|
| PIN 9 | PIN 10 | |
| + | - | GREEN |



RIGHT LED

| LED POLARITY | | COLOR |
|--------------|--------|--------|
| PIN 11 | PIN 12 | |
| + | - | YELLOW |



| | | | | |
|--------|------------|-------------|---|----------------------|
| X:X | ±0.25 | APPD: | Trxcom | |
| X:XX | ±0.20 | CHKD: | ShenZhen Trxcom Electronics Co.,ltd | |
| X:XXX | ±0.05 | DR: C. H. Y | TITLE: RJ45 Connector With 10/100 Base-TX Integrated Magnetic | |
| ANGLES | ±1° | UNIT: mm | PART NO.: TRJ66201AENL | |
| | SCALE: 2/1 | SHEET: 2/2 | REV: A | DWG NO.: TRC10090208 |