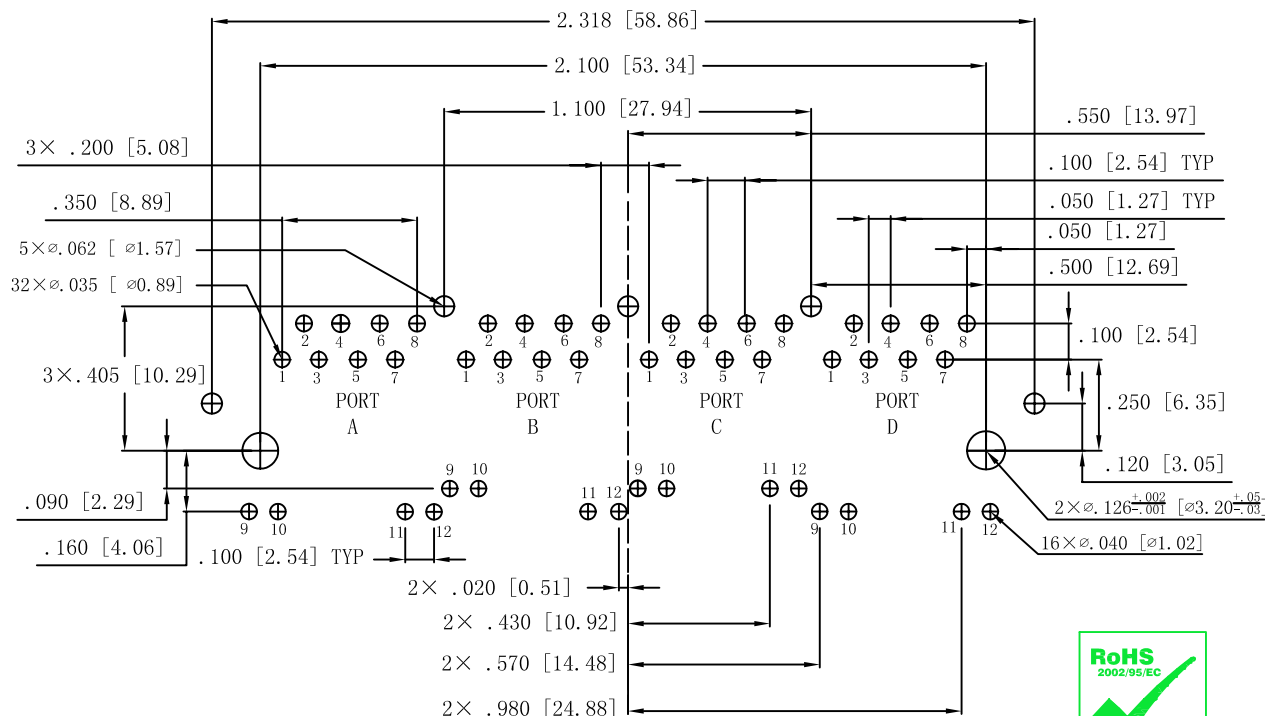
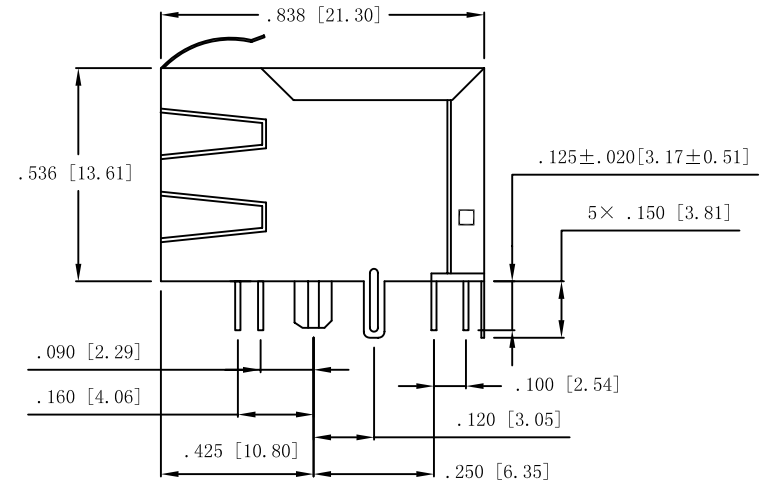
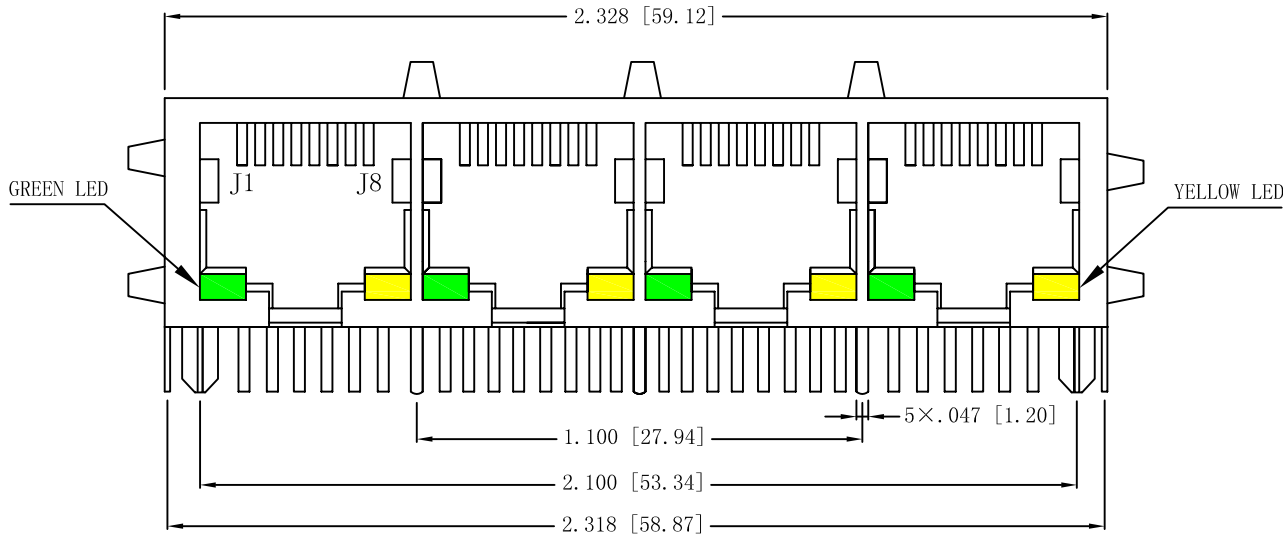


Mechanical:

REV.	ECN NO.	DESCRIPTION	DATE	APPD
A	REL		12/12/2008	



SUGGESTED PCB LAYOUT (TOP VIEW)



NOTES:

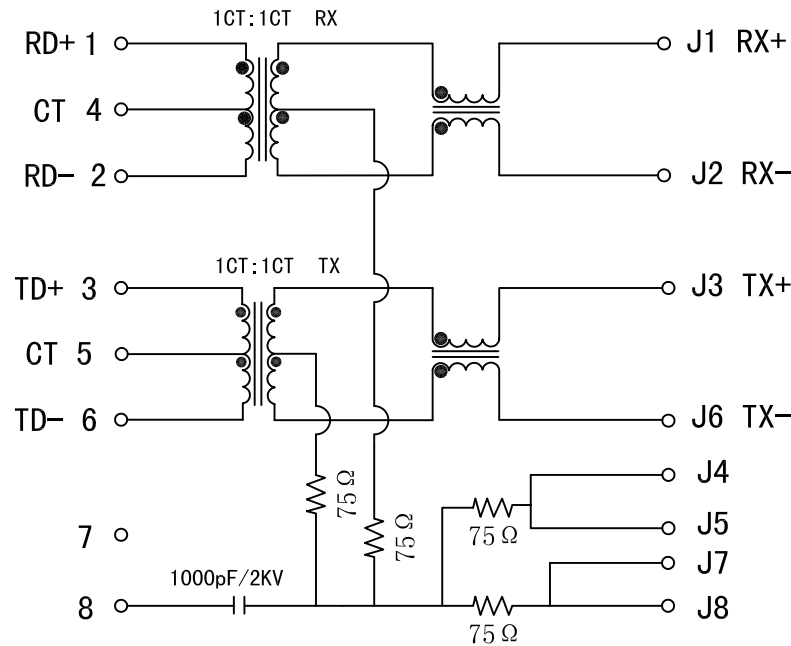
1. Designed to support application, such as SOHO (ADSL modems), LAN-on-Motherboard (LOM), hub and Switches.
2. Meets IEEE 802.3 specification
3. Connector Materials:
Housing: Thermoplastic UL94V-0
Contact/Shield: Copper alloy
Shield plating: Nickel
Contact plating: Gold 6 micro-inches min. In contact area.
4. Wave peak temperature: 260°C, 5Sec.
5. UL certification: file number E321120

X:X	±0.20	APPD:	Trxcom	
X:XX	±0.10	CHKD:	ShenZhen Trxcom Electronics Co., Ltd	
X:XXX	±0.05	DR: C. H. Y	Title: RJ45 1×4 Tab-Down Jack With 10/100 Base-TX Magnetic Modules	
ANGLES	±1°	UNIT: inches/mm	PART NO.:	TRJ46204AENL
	SCALE: 2/1	SHEET: 1/2	REV: A	DWG NO.: TRC08091302

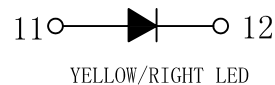
Schematic:

REV.	ECN NO.	DESCRIPTION	DATE	APPD
A	REL		12/12/2008	

PC BOARD CONNECTIONS



RJ45 CONNECTOR



Electrical Specification @25°C

- TURNS RATIO ($\pm 2\%$):
TX=1CT:1CT RX=1CT:1CT
- HIPOT:
1500VAC FOR 60 SECONDS
- INSERTION LOSS:
-1.2dB MAX @0.1MHz TO 100MHz
- RETURN LOSS:
-18dB MIN @1MHz TO 10MHz
-16dB MIN @30MHz
-12dB MIN @60MHz TO 100MHz
- CROSS TALK:
-40dB MIN @1MHz TO 10MHz
-35dB MIN @30MHz TO 60MHz
-30dB MIN @60MHz TO 100MHz
- COMMON TO COMMON MODE REJECTION:
-30dB MIN @1MHz TO 50MHz
-20dB MIN @50MHz TO 150MHz
- OPERATING TEMPERATURE: 0~70°C.

X:X	± 0.20	APPD:	<i>Trxcom</i>	
X:XX	± 0.10	CHKD:	<i>ShenZhen Trxcom Electronics Co., ltd</i>	
X:XXX	± 0.05	DR: C. H. Y	<i>Title: RJ45 1×4 Tab-Down Jack With 10/100 Base-TX Magnetic Modules</i>	
ANGLES	$\pm 1^\circ$	UNIT: Inches/mm	PART NO. :	TRJ46204AENL
	SCALE: 2/1	SHEET: 2/2	REV: A	DWG NO. : TRC08091302