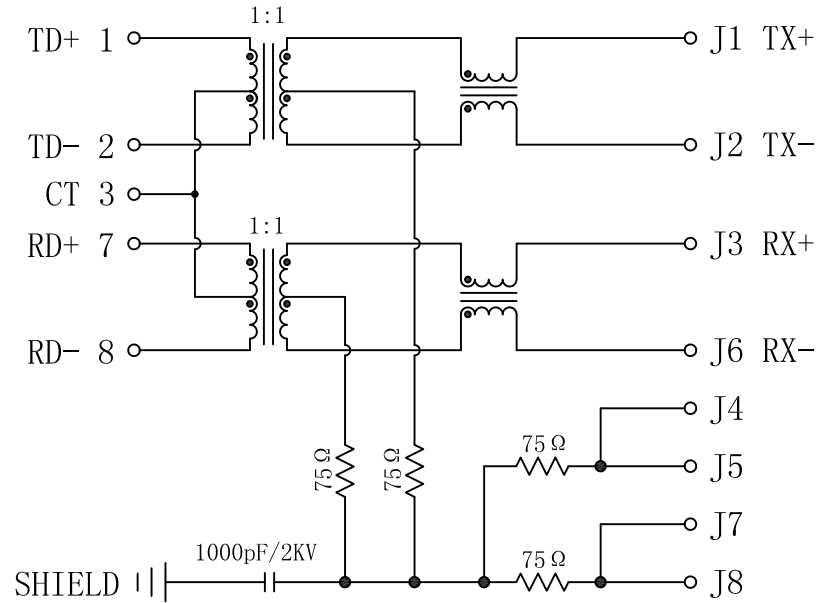


Schematic:

| REV. | ECN NO. | DESCRIPTION | DATE | APPD |
|------|---------|-------------|------------|------|
| A | REL | | 2010/06/21 | |

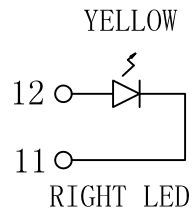
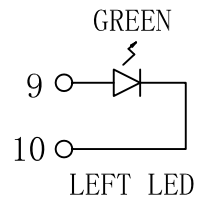
PCB SIDE TO PHY



CABLE SIDE

ELECTRICAL SPECIFICATIONS @25°C

- Turn Ratio($\pm 2\%$):
TX=1:1 RX=1:1
- Inductance OCL:
350uH MIN@100KHz/0.1V, 8mA DC Bias
- Insertion Loss:
-1.0dB MAX @1-100MHz
- Return Loss:
-18dB MIN @1-30MHz
-16dB MIN @30-60MHz
-12dB MIN @60-80MHz
- Cross talk:
-30dB MIN @1-100MHz
- Common Mode Rejection:
-30dB MIN @1-100MHz
- Hipot Test: 1500Vrms MIN
- Operating Temperature Range: -40°C TO +85°C.



| | | | | |
|--------|---------------|-------------|---|----------------------|
| X:X | ± 0.30 | APPD: | Trxcom | |
| X:XX | ± 0.20 | CHKD: | ShenZhen Trxcom Electronics Co., ltd | |
| X:XXX | ± 0.05 | DR: C. H. Y | TITLE: RJ45 Connector with 10/100 Base-T Integrated Magnetics | |
| ANGLES | $\pm 1^\circ$ | UNIT: mm | PART NO.: TRJ4013ABNL | |
| | SCALE: 2/1 | SHEET: 2/2 | REV: A | DWG NO.: TRC10062101 |