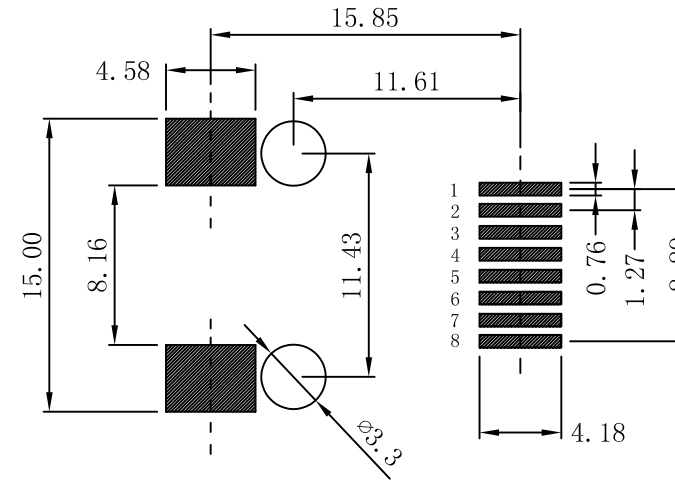
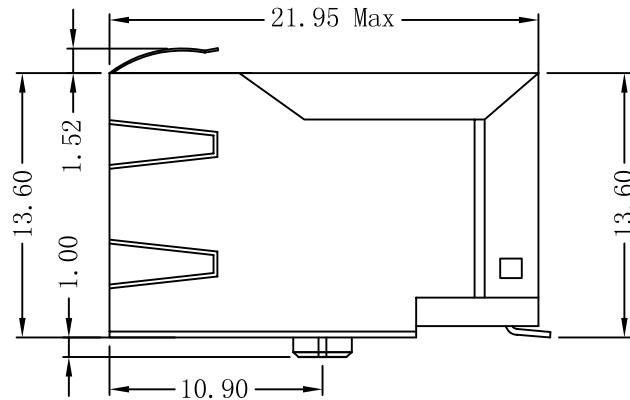
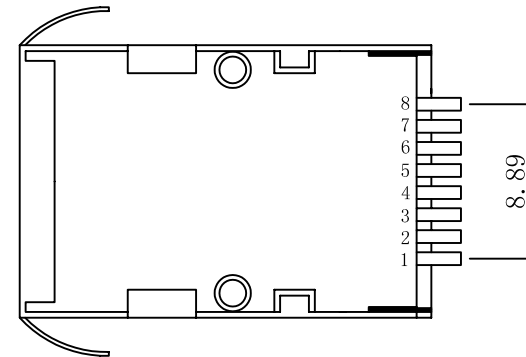
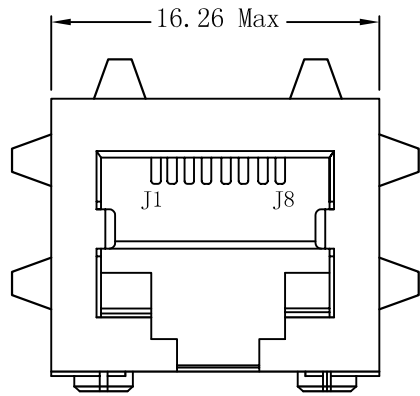


# Mechanical :

REV.	ECN NO.	DESCRIPTION	DATE	APPD
A	REL		2010/07/02	



SUGGESTED PCB LAYOUT (TOP VIEW)

## NOTES:

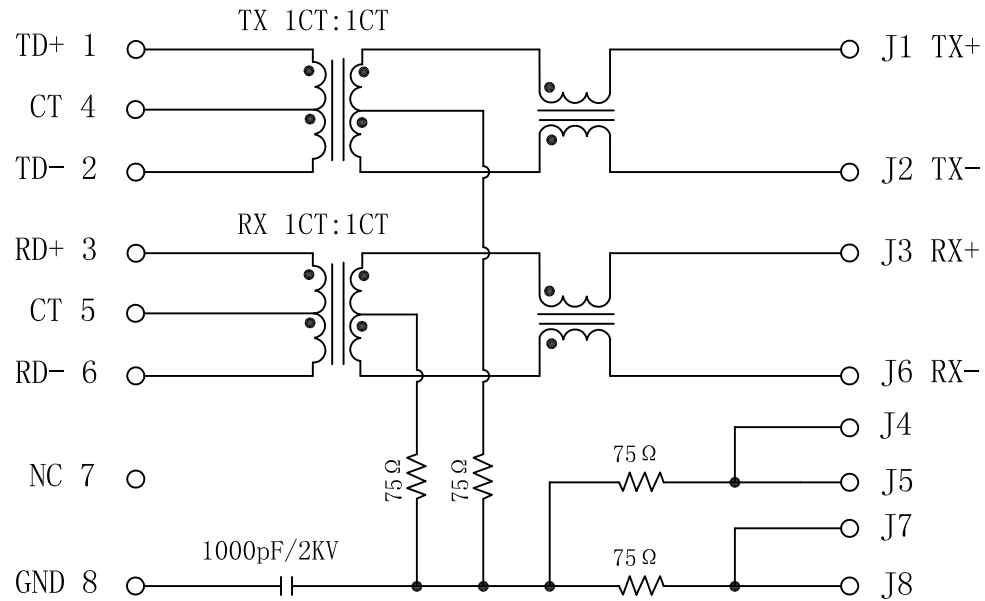
1. Designed to support application, such as SOHO (ADSL modems), LAN-on-Motherboard (LOM), hub and Switches.
2. Meets IEEE 802.3 specification
3. Connector Materials:  
Housing: Thermoplastic UL94V-0  
Contact/Shield: Copper alloy  
Shield plating: Nickel  
Contact plating: Gold 6 micro-inches min. In contact area.
4. Wave solder tip temperature: 265°C Max  
Wave solder tip temperature time: 5 Sec Max
5. UL Certification: File Number E321120



X:X	±0.20	APPD:	<i>Trxcom</i>	
X:XX	±0.10	CHKD:	ShenZhen Trxcom Electronics Co., ltd	
X:XXX	±0.05	DR: C. H. Y	Title: Surface Mount 1×1 Tab-Down Jack with 10/100 Magnetic SMT	
ANGLES	±1°	UNIT: mm	PART NO. :	TRJ19111CNL
	SCALE: 2/1	SHEET: 1/2	REV: A	DWG NO. : TRC10101503

# Schematic :

REV.	ECN NO.	DESCRIPTION	DATE	APPD
A	REL		2010/07/02	



## Electrical Specification @25°C

- Turns Ratio ( $\pm 2\%$ ):  
TX=1CT:1CT      RX=1CT:1CT
- OCL: 350uH Min  
@100KHz, 100mV, 8mADC
- Insertion Loss:  
1-65MHz:-1.0dB Max
- Return Loss(dB Min):  
1-10MHz:-18      30MHz:-14  
60-100MHz:-10
- Crosstalk(dB Min):  
1-60MHz:-35      60-100MHz:-30
- Common Mode Rejection:  
1-130MHz:-20dB Min
- Isolation Voltage: 1500Vrms
- Operating Temperature: 0°C~70°C.



X:X	$\pm 0.20$	APPD:	<i>Trxcom</i>	
X:XX	$\pm 0.10$	CHKD:	<i>ShenZhen Trxcom Electronics Co., ltd</i>	
X:XXX	$\pm 0.05$	DR: C. H. Y	<i>Title:</i> Surface Mount 1×1 Tab-Down Jack with 10/100 Magnetic SMT	
ANGLES	$\pm 1^\circ$	UNIT: mm	PART NO. :	TRJ19111CNL
	SCALE: 2/1	SHEET: 2/2	REV: A	DWG NO. : TRC10101503