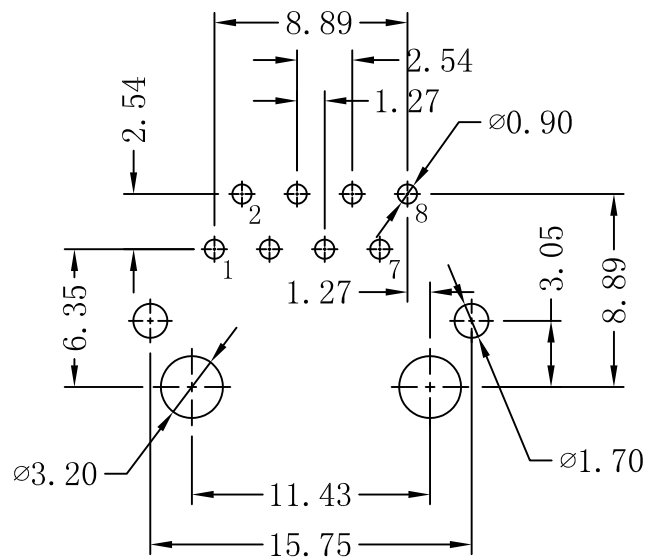
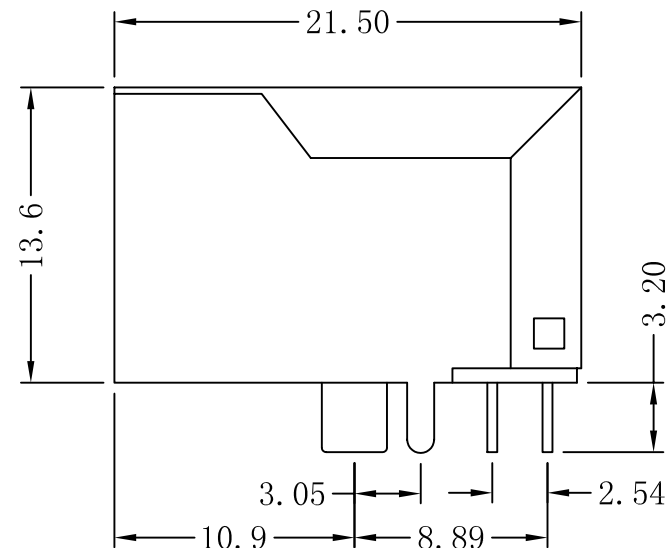
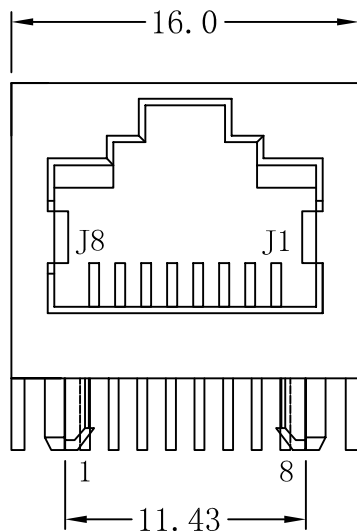


Mechanical:

REV.	ECN NO.	DESCRIPTION	DATE	APPD
A	REL		2010/04/22	



SUGGESTED PCB LAYOUT (TOP VIEW)

NOTES:

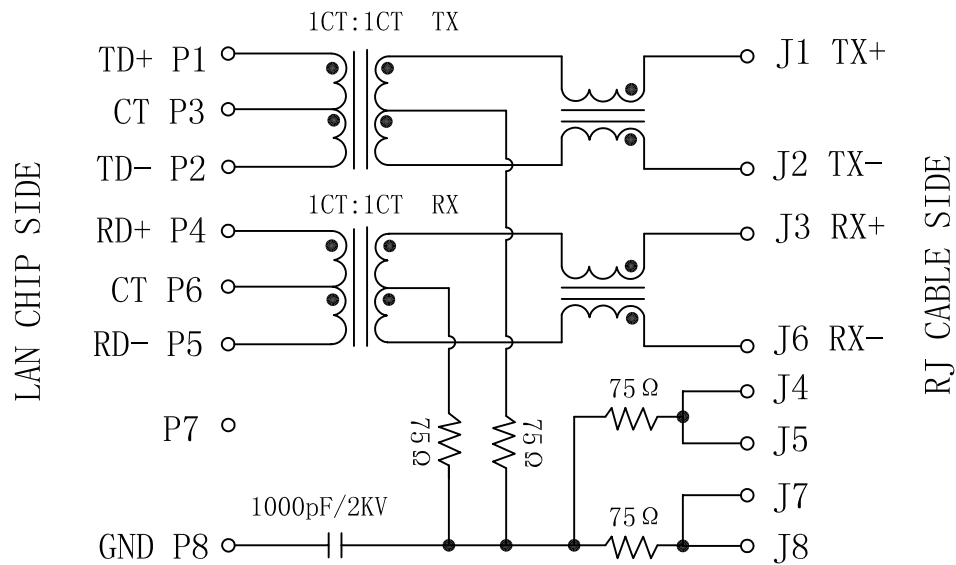
1. Designed to support application, such as SOHO (ADSL modems), LAN-on-Motherboard (LOM), hub and Switches.
2. Meets IEEE 802.3 specification
3. Connector Materials:
Housing: Thermoplastic UL94V-0
Contact/Shield: Copper alloy
Shield plating: Nickel
Contact plating: Gold 6 micro-inches min. In contact area.
4. Wave solder tip temperature: 265°C Max
Wave solder tip temperature time: 5 Sec Max
5. UL Certification: File Number E321120



X:X	± 0.20	APPD:	Trxcom
X:XX	± 0.10	CHKD:	ShenZhen Trxcom Electronics Co., ltd
X:XXX	± 0.05	DR: C. H. Y	TITLE.: RJ45 Connector With 10/100 Base-TX Integrated Magnetic TAB-UP
ANGLES	$\pm 1^\circ$	UNIT: mm	PART NO.: TRJ16193DNL
	SCALE: 2/1	SHEET: 1/2	REV: A DWG NO: TRC10042203

Schematic:

REV.	ECN NO.	DESCRIPTION	DATE	APPD
A	REL		2010/04/22	



Electrical Specification @25°C

- Turns Ratio ($\pm 2\%$) :
TX=1CT:1CT RX=1CT:1CT
- Inductance OCL:
350uH min with 8mA bias current
- Return Loss(dB Min):
1-30MHz:-18 40MHz:-16
50MHz:-14 60-80MHz:-12
- Crosstalk:
0.3-80MHz:-30dB Min
- Insertion Loss:
0.1-100MHz:-1.0dB Mac
- Isolation Voltage:1500Vrms
- Operating Temperature:0~70°C



X:X	± 0.20	APPD:	Trxcom	
X:XX	± 0.10	CHKD:	ShenZhen Trxcom Electronics Co.,ltd	
X:XXX	± 0.05	DR: C.H.Y	TITLE.: RJ45 Connector With 10/100 Base-TX Integrated Magnetic TAB-UP	
ANGLES	$\pm 1^\circ$	UNIT: mm	PART NO.: TRJ16193DNL	
	SCALE: 2/1	SHEET: 2/2	REV: A	DWG NO: TRC10042203