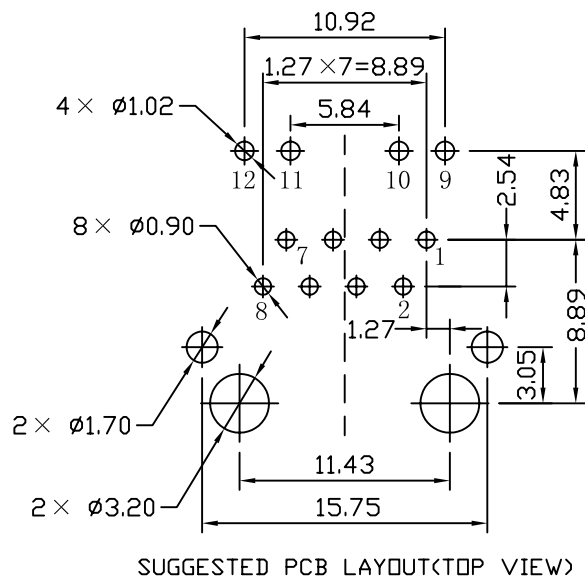
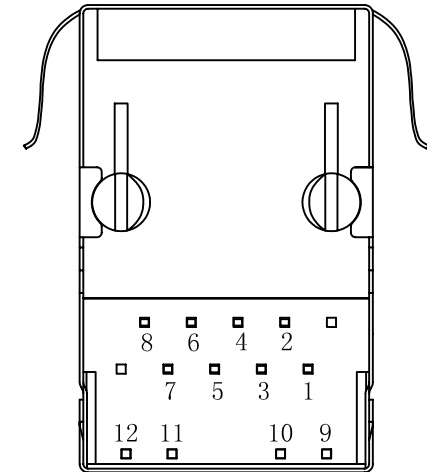
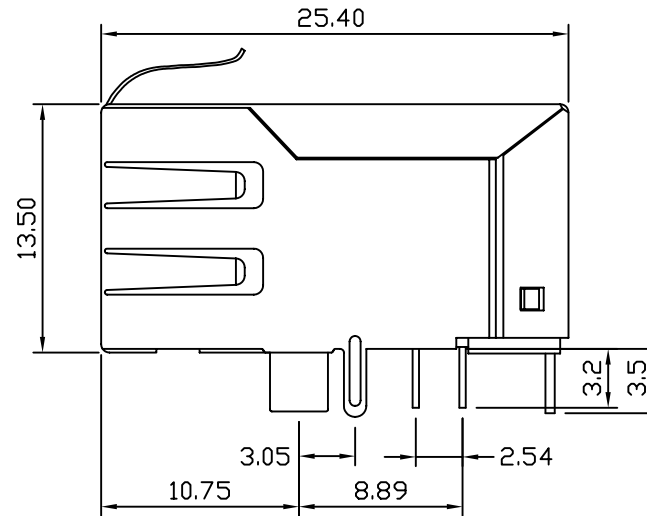
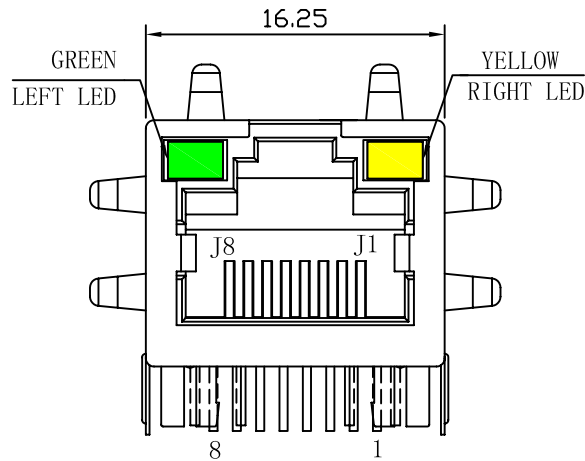


Mechanical:

REV.	ECN NO.	DESCRIPTION	DATE	APPD
A	REL		2007/10/04	



NOTES:

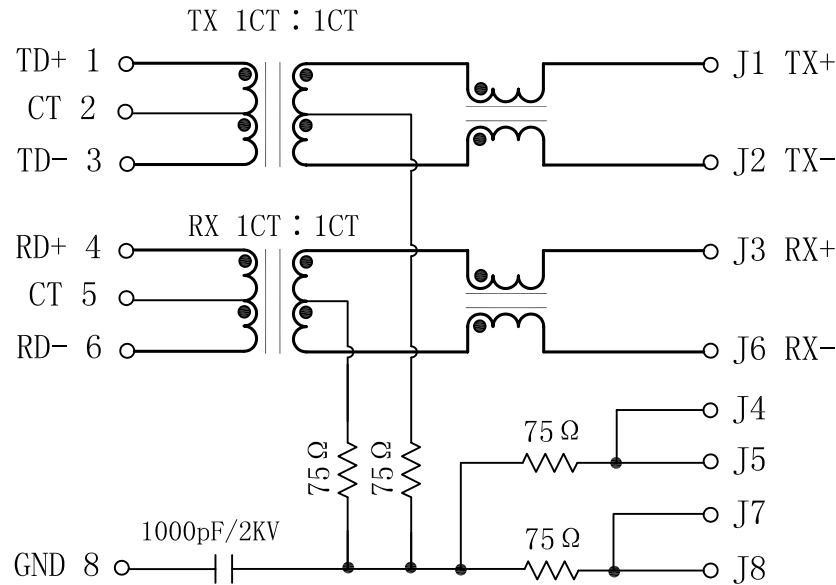
1. Designed to support application, such as SOHO (ADSL modems), LAN-on-Motherboard (LOM), hub and Switches.
2. Meets IEEE 802.3 specification
3. Connector Materials:
Housing: Thermoplastic UL94V-0
Contact/Shield: Copper alloy
Shield plating: Nickel
Contact plating: Gold 6 micro-inches min. In contact area.
4. Wave solder tip temperature: 260°C
Wave solder tip temperature time: 5 Sec Max
5. UL Certification: File Number E321120

X:X	±0.25	APPD:	Trxcom	
X:XX	±0.20	CHKD:	ShenZhen Trxcom Electronics Co., Ltd	
X:XXX	±0.05	DR: C.H.Y	TITLE: RJ45 Connector with 10/100 Base-T Integrated Magnetics	
ANGLES	±1°	UNIT: mm	PART NO.: TRJ1014AHNL	
	SCALE: 2/1	SHEET: 1/2	REV: A	DWG NO.: TRC07100405

Schematic:

REV.	ECN NO.	DESCRIPTION	DATE	APPD
A	REL		2007/10/04	

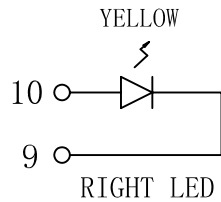
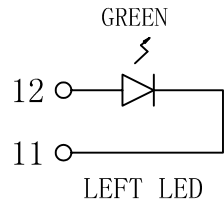
PC BOARD CONNECTIONS



RJ45 CONNECTOR

ELECTRICAL SPECIFICATIONS @25°C

- Turn Ratio ($\pm 3\%$):
TX=1CT:1CT RX=1CT:1CT
- Inductance OCL: 350uH MIN
@100KHz, 100mV, 8mA DC Bias
- Insertion Loss:
-1.0dB MAX @ 1~65MHz
- Return Loss:
-20dB MIN @ 1~10MHz
-16dB MIN @ 10~30MHz
-12dB MIN @ 30~60MHz
-10dB MIN @ 60~80MHz
- Cross talk:
-40dB MIN @ 1~30MHz
-35dB MIN @ 30~60MHz
-30dB MIN @ 60~100MHz
- Common Mode Rejection:
-30dB MIN @ 1~50MHz
-20dB MIN @ 50~150MHz
- Hipot Test: 1500Vrms @60Hz
- Operating Temperature Range: 0°C~70°C



X:X	± 0.25	APPD:	Trxcom	
X:XX	± 0.20	CHKD:	ShenZhen Trxcom Electronics Co., ltd	
X:XXX	± 0.05	DR: C.H.Y	TITLE: RJ45 Connector with 10/100 Base-T Integrated Magnetics	
ANGLES	$\pm 1^\circ$	UNIT: mm	PART NO.: TRJ1014AHNL	
	SCALE: 2/1	SHEET: 2/2	REV: A	DWG NO.: TRC07100405