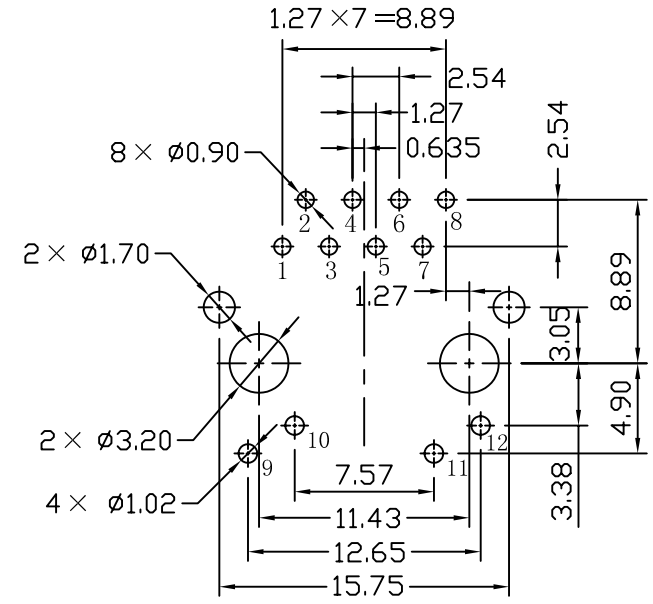
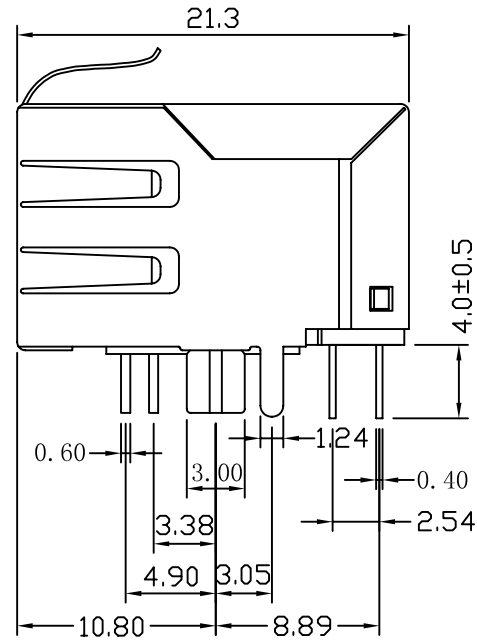
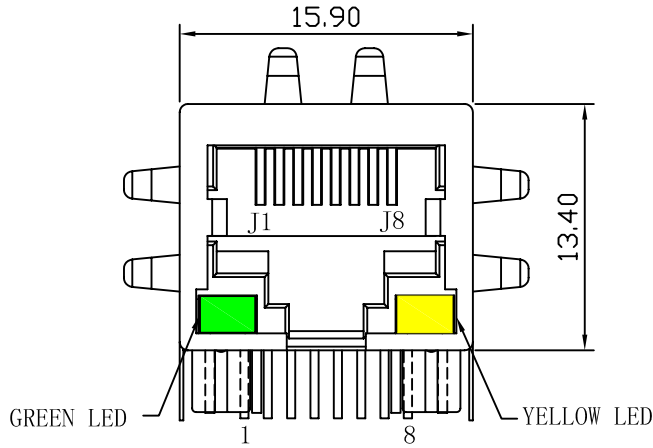
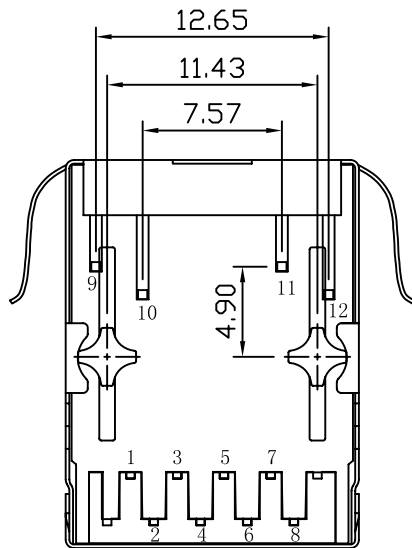


Mechanical:

REV.	ECN NO.	DESCRIPTION	DATE	APPD
A	REL		12/12/2008	

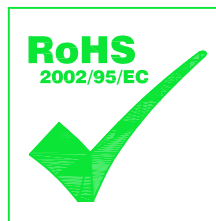


SUGGESTED PCB LAYOUT(TOP VIEW)



NOTES:

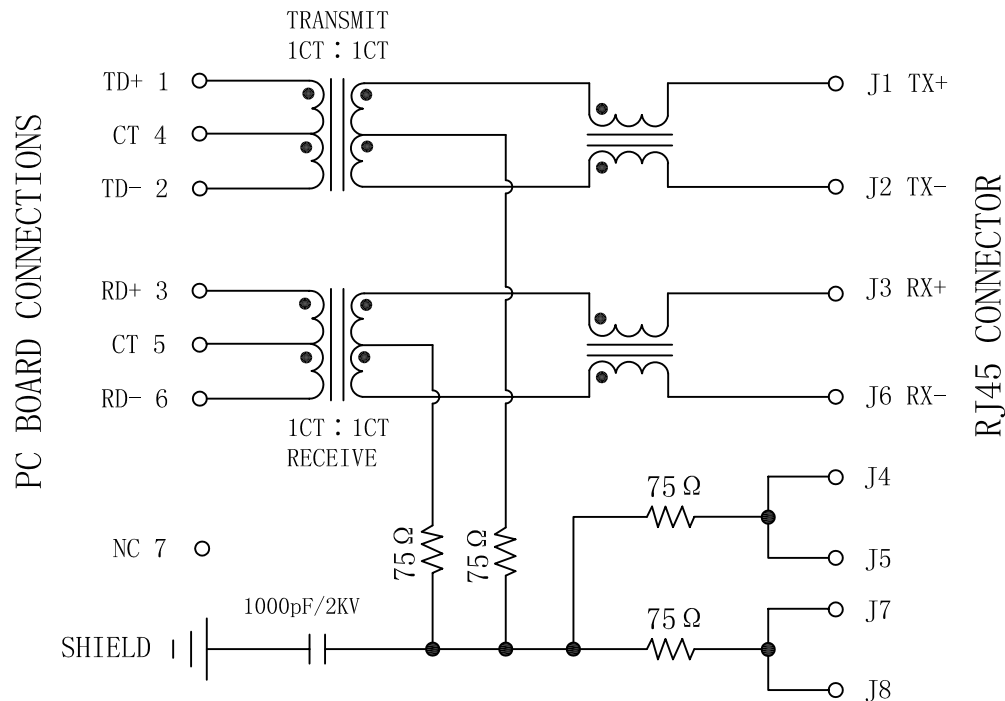
1. Designed to support application, such as SOHO(ADSL modems), LAN-on-Motherboard(LOM), hub and Switches.
2. Meets IEEE 802.3 specification
3. Connector Materials:
 Housing: Thermoplastic UL94V-0
 Contact/Shield: Copper alloy
 Shield plating: Nickel
 Contact plating: Gold 6 micro-inches min. In contact area.
4. Wave solder tip temperature: 265°C Max
 Wave solder tip temperature time: 5 Sec Max
5. UL Certification: File Number E321120



X:X ±0.25	APPD:	Trxcom ShenZhen Trxcom Electronics Co.,ltd
X:XX ±0.20	CHKD:	
X:XXX ±0.05	DR: C. H. Y	TITLE: RJ45 Connector with 10/100 Base-T Integrated Magnetics
ANGLES ±1°	UNIT: mm	PART NO.: TRJ0037ABNL
	SCALE: 2/1	SHEET: 1/2
	REV: A	DWG NO.: TRC08121210

Schematic:

REV.	ECN NO.	DESCRIPTION	DATE	APPD
A	REL		17/07/2008	

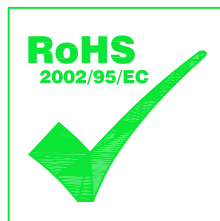
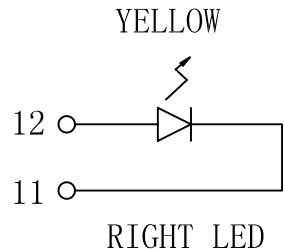
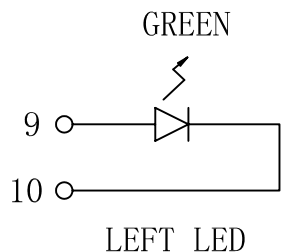


PC BOARD CONNECTIONS

RJ45 CONNECTOR

ELECTRICAL SPECIFICATIONS @25°C

- Turn Ratio($\pm 2\%$):
TX=1CT : 1CT RX=1CT : 1CT
- Inductance OCL: 350uH MIN
@100KHz 0.1V 8mA DC Bias
- Insertion Loss:
-1.0dB MAX @ 1.0-65MHz
- Return Loss:
-20dB MIN @ 1-10MHz
-16dB MIN @ 10-30MHz
-12dB MIN @ 30-60MHz
-10dB MIN @ 60-100MHz
- Cross talk:
-40dB MIN @ 1-30MHz
-35dB MIN @ 30-60MHz
-30dB MIN @ 60-100MHz
- Common to Common Mode Rejection:
-30dB MIN @ 1-50MHz
-20dB MIN @ 50-150MHz
- Hipot: 1500Vrms
- LED Lamp:
Wave Length: GREEN/YELLOW: 570nm/590nm
Forward Voltage(Vf):
1.8V-2.6V (Test Condition: 20mA)
- Operating Temperature Range: 0°C TO 70°C



X:X	± 0.25	APPD:	Trxcom	
X:XX	± 0.20	CHKD:	ShenZhen Trxcom Electronics Co.,ltd	
X:XXX	± 0.05	DR: C. H. Y	TITLE: RJ45 Connector with 10/100 Base-T Integrated Magnetics	
ANGLES	$\pm 1^\circ$	UNIT: mm	PART NO. : TRJ0037ABNL	
	SCALE: 2/1	SHEET: 2/2	REV: A	DWG NO. : TRC08121210