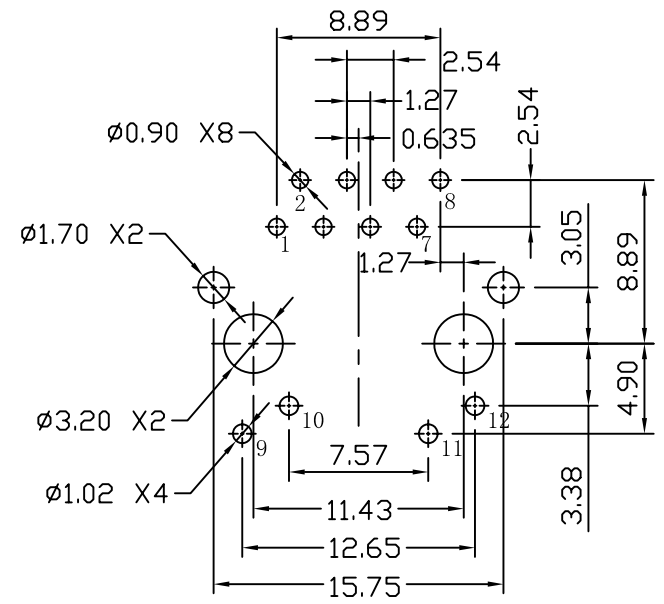
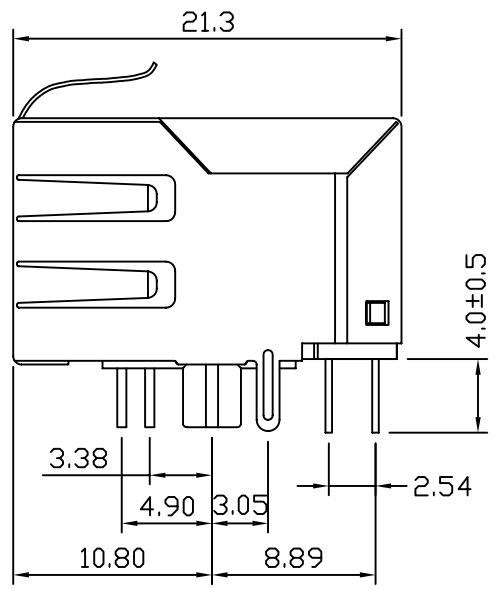
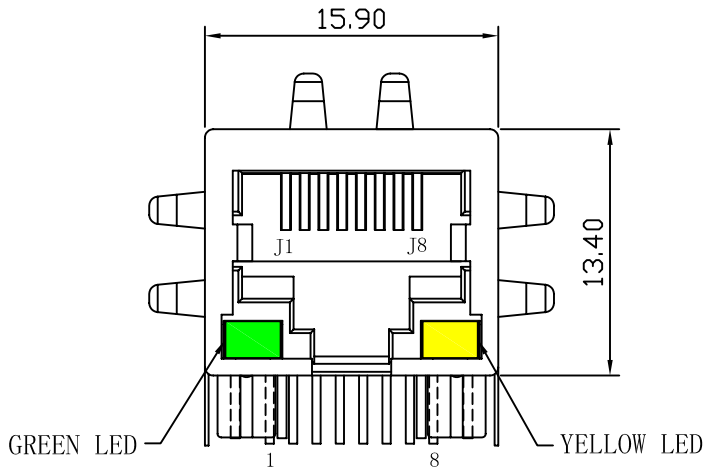
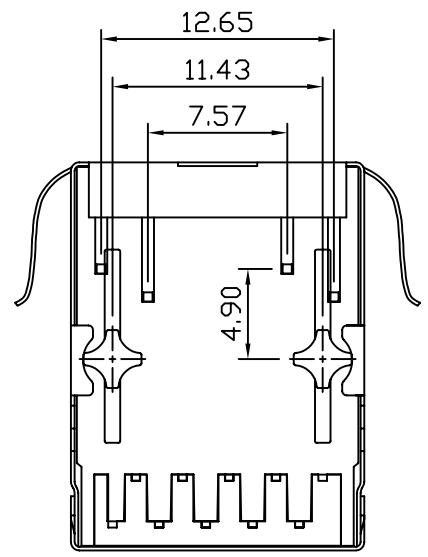


Mechanical:

REV.	ECN NO.	DESCRIPTION	DATE	APPD
A	REL		25/12/2007	

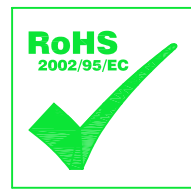


SUGGESTED PCB LAYOUT (TOP VIEW)



NOTES:

1. Designed to support application, such as SOHO (ADSL modems), LAN-on-Motherboard (LOM), hub and Switches.
2. Meets IEEE 802.3 specification
3. Connector Materials:
 Housing: Thermoplastic UL94V-0
 Contact/Shield: Copper alloy
 Shield plating: Nickel
 Contact plating: Gold 6 micro-inches min. In contact area.
4. Wave solder tip temperature: 265°C Max
 Wave solder tip temperature time: 5 Sec Max
5. UL Certification: File Number E321120

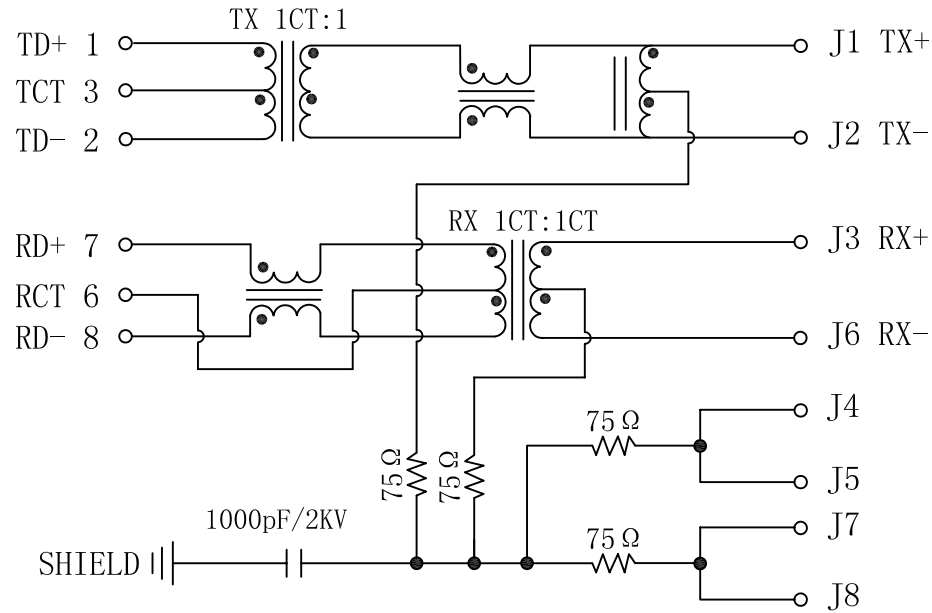


X:X ±0.25	APPD:	Trxcom		
X:XX ±0.20	CHKD:	ShenZhen Trxcom Electronics Co., Ltd		
X:XXX ±0.05	DR: C. H. Y	TITLE: RJ45 Connector 10/100 Base-TX With Integrated Magnetics		
ANGLES ±1°	UNIT: mm	PART NO.: TRJ0025ABNL		
	SCALE: 2/1	SHEET: 1/2	REV: A	DWG NO.: TRC07122510

Schematic:

REV.	ECN NO.	DESCRIPTION	DATE	APPD
A	REL		25/12/2007	

PCB SIDE TO PHY

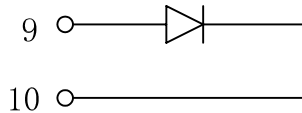


CABLE SIDE

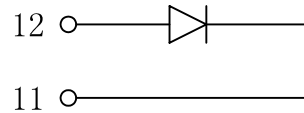
ELECTRICAL SPECIFICATIONS @25°C

- Turn Ratio($\pm 2\%$):
TX=1CT:1 RX=1CT:1CT
- Inductance OCL:
350uH MIN @100KHz/0.1V, 8mA DC Bias
- Insertion Loss:
-1.0dB MAX @ 1.0-100MHz
- Return Loss:
-18dB MIN @ 1-30MHz
-16dB MIN @ 30-60MHz
-12dB MIN @ 60-80MHz
- Cross talk:
-35dB MIN @ 1-100MHz
- Common Mode Rejection:
-30dB MIN @ 1-100MHz
- Hipot Test: 1500Vrms MIN
- Operating Temperature Range: 0°C TO 70°C

GREEN/LEFT LED



YELLOW/RIGHT LED



X:X	± 0.25	APPD:	Trxcom	
X:XX	± 0.20	CHKD:	ShenZhen Trxcom Electronics Co.,ltd	
X:XXX	± 0.05	DR: C. H. Y	TITLE: RJ45 Connector 10/100 Base-TX With Integrated Magnetics	
ANGLES	$\pm 1^\circ$	UNIT: mm	PART NO. : TRJ0025ABNL	
	SCALE: 2/1	SHEET: 2/2	REV: A	DWG NO. : TRC07122510