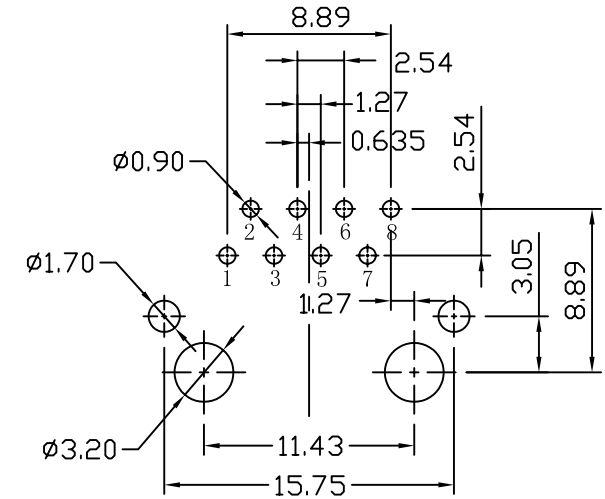
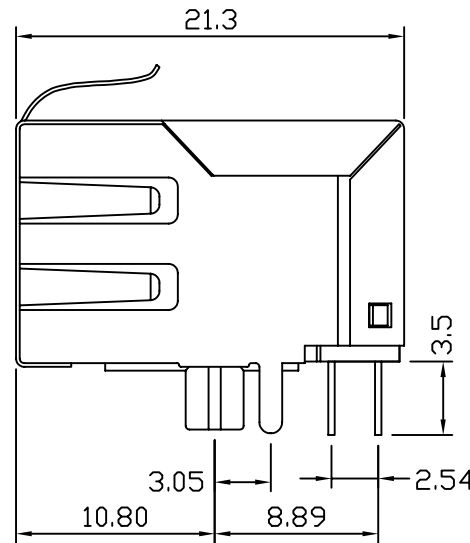
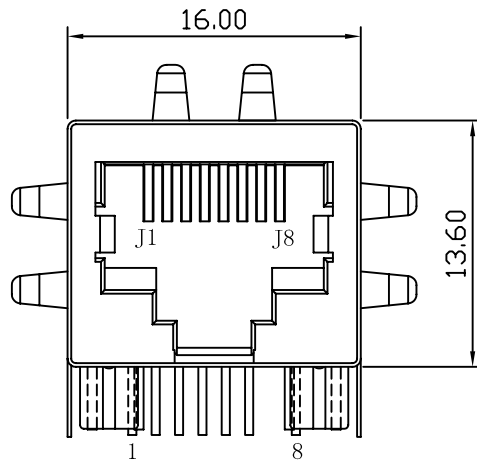
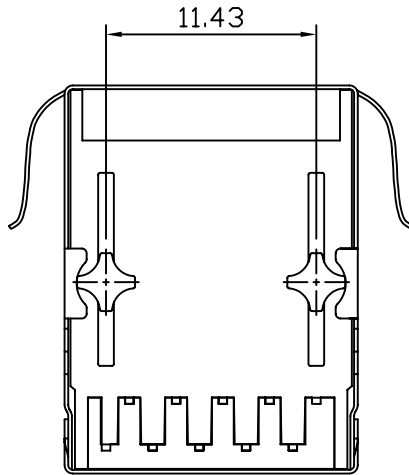


Mechanical:

REV.	ECN NO.	DESCRIPTION	DATE	APPD
A	REL		18/01/2010	



SUGGESTED PCB LAYOUT (TOP VIEW)



NOTES:

1. Designed to support application, such as SOHO (ADSL modems), LAN-on-Motherboard (LOM), hub and Switches.
2. Meets IEEE 802.3 specification
3. Connector Materials:
 Housing: Thermoplastic UL94V-0
 Contact/Shield: Copper alloy
 Shield plating: Nickel
 Contact plating: Gold 6 micro-inches min. In contact area.
4. Wave solder tip temperature: 265°C Max
 Wave solder tip temperature time: 5 Sec Max
5. UL Certification: File Number E321120

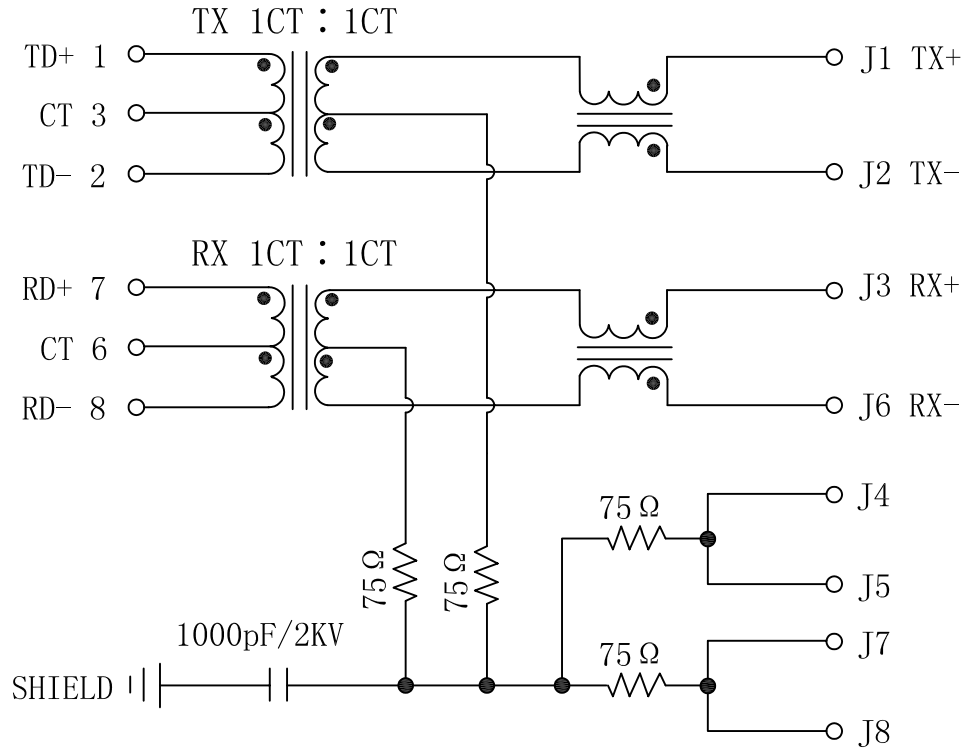


X:X ±0.30	APPD:	Trxcom	
X:XX ±0.20	CHKD:	ShenZhen Trxcom Electronics Co., ltd	
X:XXX ±0.05	DR: C. H. Y	TITLE: RJ45 Connector with 10/100 Base-TX Integrated Magnetics	
ANGLES ±1°	UNIT: mm	PART NO.: TRJ0017CNL	
	SCALE: 2/1	SHEET: 1/2	REV: A DWG NO.: TRC10011801

Schematic:

REV.	ECN NO.	DESCRIPTION	DATE	APPD
A	REL		04/01/2010	

PCB SIDE



CABLE SIDE

ELECTRICAL SPECIFICATIONS @25°C

- Turn Ratio($\pm 2\%$):
TX=1CT : 1CT RX=1CT : 1CT
- Inductance OCL: 350uH MIN
@ 100KHz/0.1V 8mA DC Bias
- Insertion Loss:
-1.0dB MAX @ 0.3-100MHz
- Return Loss(@100 Ω):
-18dB MIN @ 1-30MHz
-16dB MIN @ 40MHz
-14dB MIN @ 50MHz
-12dB MIN @ 60-80MHz
- Cross talk:
-45dB MIN @ 30MHz
-40dB MIN @ 60MHz
-35dB MIN @ 100MHz
- Common Mode Rejection:
-35dB MIN @ 30MHz
-30dB MIN @ 60MHz
-25dB MIN @ 100MHz
- Hipot Test:1500Vrms MIN
- Operating Temperature Range: 0°C TO 70°C



X:X	± 0.30	APPD:	Trxcom	
X:XX	± 0.20	CHKD:	ShenZhen Trxcom Electronics Co.,ltd	
X:XXX	± 0.05	DR: C. H. Y	TITLE: RJ45 Connector with 10/100 Base-TX Integrated Magnetics	
ANGLES	$\pm 1^\circ$	UNIT: mm	PART NO. :	TRJ0017CNL
	SCALE: 2/1	SHEET: 2/2	REV: A	DWG NO. : TRC10011801