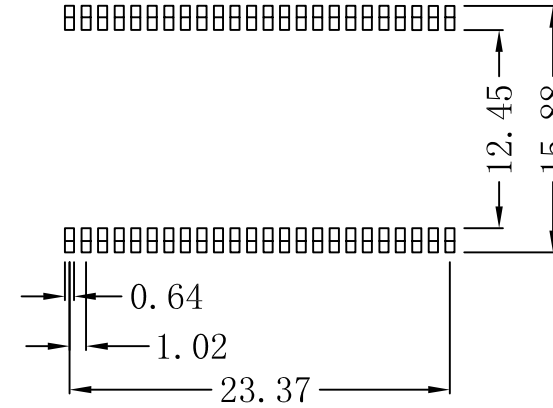
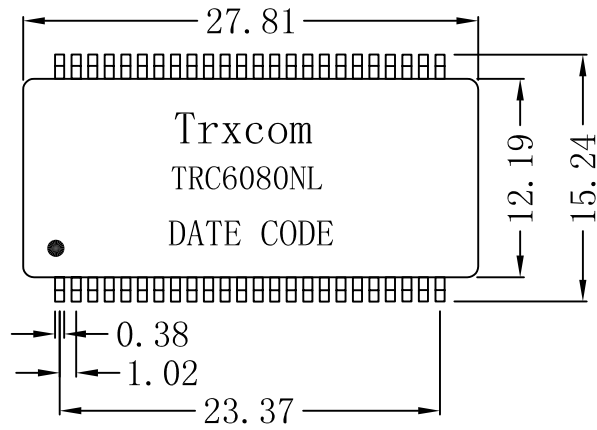
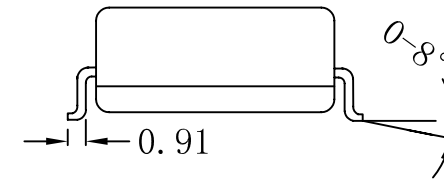
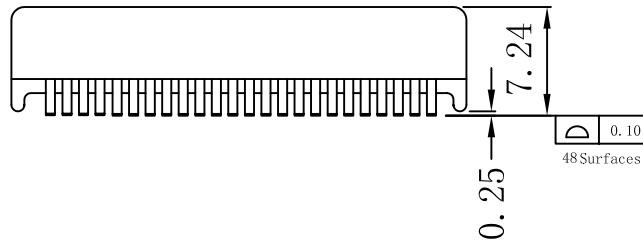


Mechanical:

REV.	ECN NO.	DESCRIPTION	DATE	APPD
A	REL		31/10/2007	



SUGGESTED PAD LAYOUT



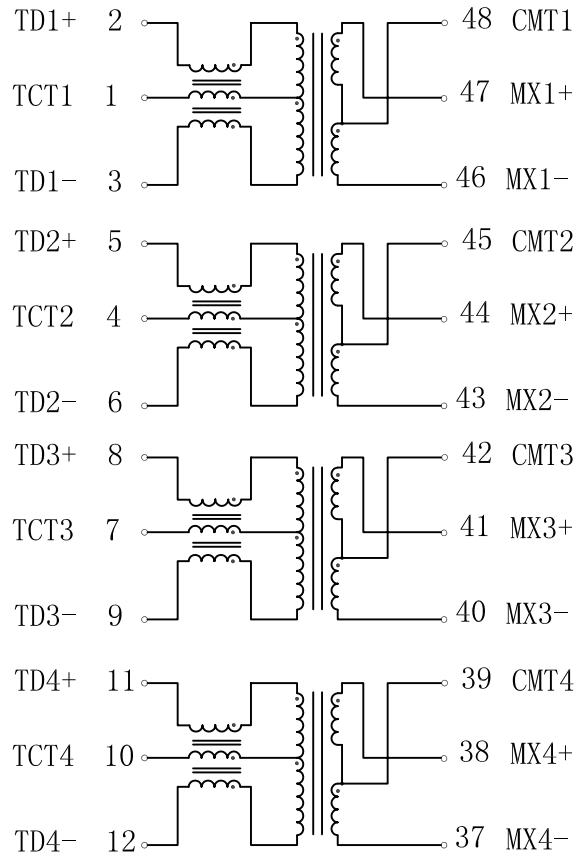
- NOTES: 1. Gigabit Transformer Modules With Power Over Ethernet Option
 2. Meets IEEE 802.3 specification
 3. For RoHS part add suffix NL.
 4. RoHS "NL" peak solder rating 245°C.

X:X	±0.20	APPD:	<i>Trxcom</i>	
X:XX	±0.10	CHKD:	<i>ShenZhen Trxcom Electronics Co., ltd</i>	
X:XXX	±0.05	DR: C. H. Y	<i>Title:</i> 1000 Base-T Magnetic Modules (PoE)	
ANGLES	±1°	UNIT: mm	PART NO. :	TRC6080NL
	SCALE: 2/1	SHEET: 1/2	REV: A	DWG NO. :

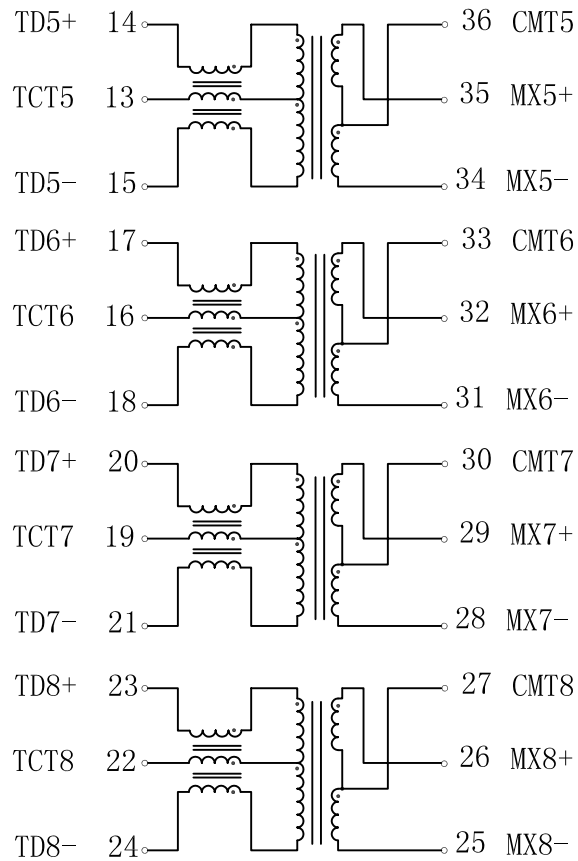
Schematic:

REV.	ECN NO.	DESCRIPTION	DATE	APPD
A	REL		31/10/2007	

Port 1



Port 2



Electrical Specifications: @25°C

1. Turns Ratio:

TX=1:1 RX=1:1

1. Insertion Loss (dB MAX):

0.1MHz:-1.1 100MHz:-1.0
125MHz:-2.0

2. Return Loss (dB MIN):

30MHz:-18 60MHz:-12
80MHz:-12 100MHz:-10

3. Crosstalk (dB MIN):

30MHz:-43 60MHz:-37
100MHz:-33

4. Hipot (Vrms MIN): 1500

5. Operating Temperature: 0~70°C



X:X	±0.20	APPD:	<i>Trxcom</i>	
X:XX	±0.10	CHKD:	<i>ShenZhen Trxcom Electronics Co., ltd</i>	
X:XXX	±0.05	DR: C. H. Y	<i>Title:</i> 1000 Base-T Magnetic Modules (PoE)	
ANGLES	±1°	UNIT: mm	PART NO.: TRC6080NL	
	SCALE: 2/1	SHEET: 2/2	REV: A	DWG NO.: