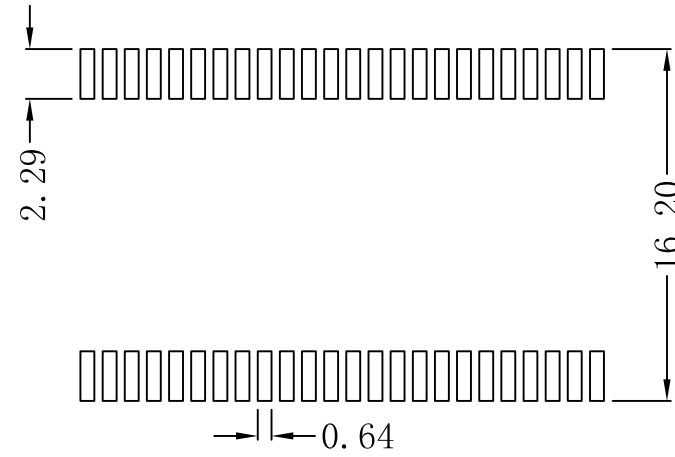
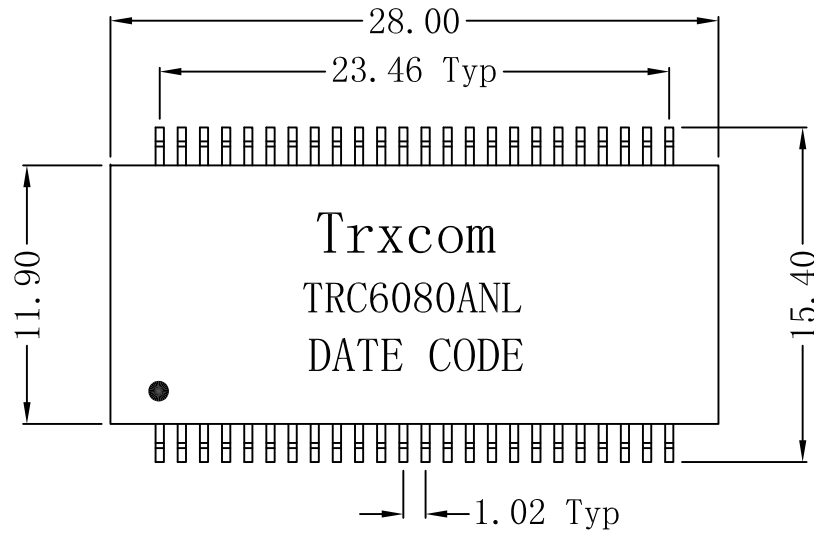
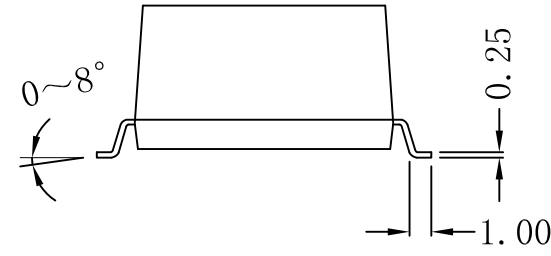
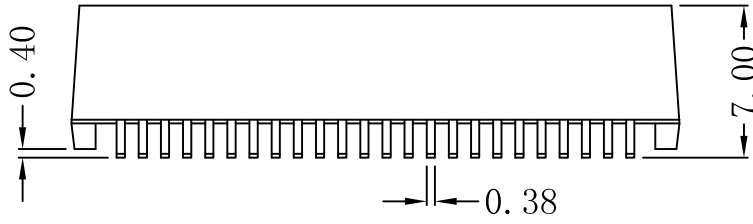


Mechanical:

| REV. | ECN NO. | DESCRIPTION | DATE | APPD |
|------|---------|-------------|------------|------|
| A | REL | | 31/10/2007 | |



SUGGESTED PAD LAYOUT



NOTES:

1. Gigabit transformer modules with PoE+ compliance.
2. Meets IEEE 802.3at specification.
3. For RoHS part add suffix NL.
4. RoHS "NL" peak solder rating 250°C.
5. UL Certification: File Number E321120.



Dimensions: mm

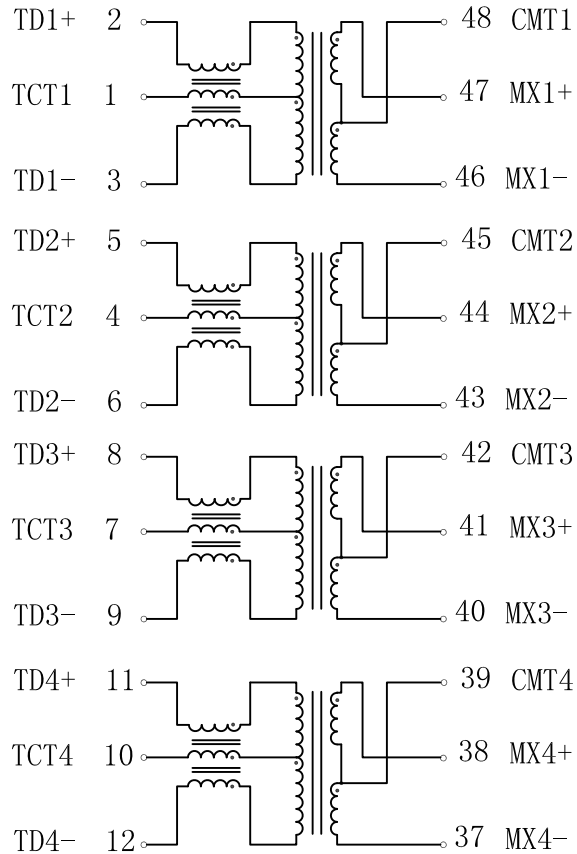
Unless otherwise specified, all tolerances are ± 0.25

| | | | | |
|----------------------|------------|--|--------|----------|
| X:X | APPD: | Trxcom | | |
| X:XX | CHKD: | ShenZhen Trxcom Electronics Co., ltd | | |
| X:XXX | DR: C.H.Y | TITLE: 1000 Base-T Magnetic Modules For PoE+ Application | | |
| ANGLES $\pm 1^\circ$ | UNIT: mm | PART NO.: TRC6080ANL | | |
| | SCALE: 2/1 | SHEET: 1/2 | REV: A | DWG NO.: |

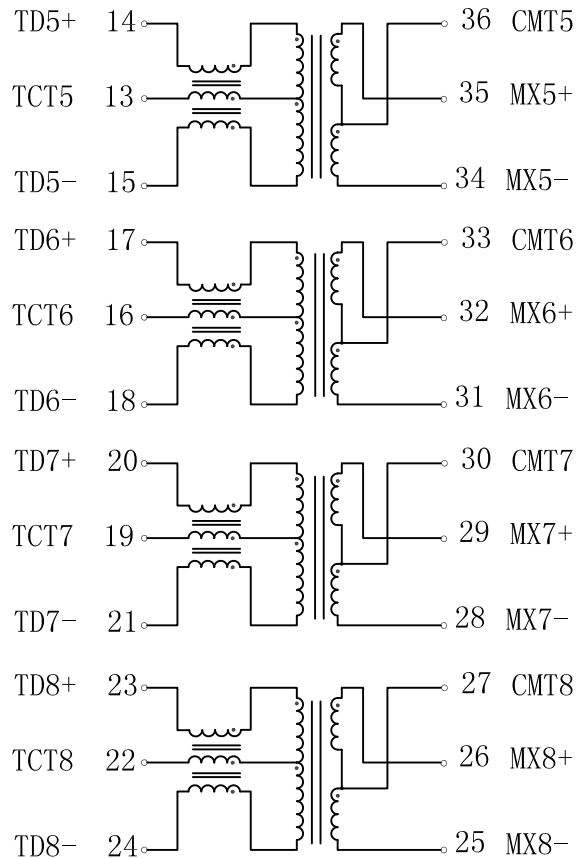
Schematic:

| REV. | ECN NO. | DESCRIPTION | DATE | APPD |
|------|---------|-------------|------------|------|
| A | REL | | 31/10/2007 | |

Port 1



Port 2



Electrical Specifications @25°C

- Turns Ratio: 1CT : CT
- OCL: 350uH MIN
@100KHz, 100mV, 8mADC Bias.
- Insertion Loss (dB MAX):
0.1MHz: -1.1 100MHz: -1.0
125MHz: -2.0
- Return Loss (dB MIN):
30MHz: -18 60MHz: -12
80MHz: -12 100MHz: -10
- Crosstalk (dB MIN):
30MHz: -43 60MHz: -37
100MHz: -33
- Hipot (Vrms MIN): 1500
- Operating Temperature: -40°C ~ +85°C



| | | | | |
|------------|------------|--|--------|----------|
| X:X | APPD: | Trxcom | | |
| X:XX | CHKD: | ShenZhen Trxcom Electronics Co., ltd | | |
| X:XXX | DR: C.H.Y | TITLE: 1000 Base-T Magnetic Modules For PoE+ Application | | |
| ANGLES ±1° | UNIT: mm | PART NO.: TRC6080ANL | | |
| | SCALE: 2/1 | SHEET: 2/2 | REV: A | DWG NO.: |