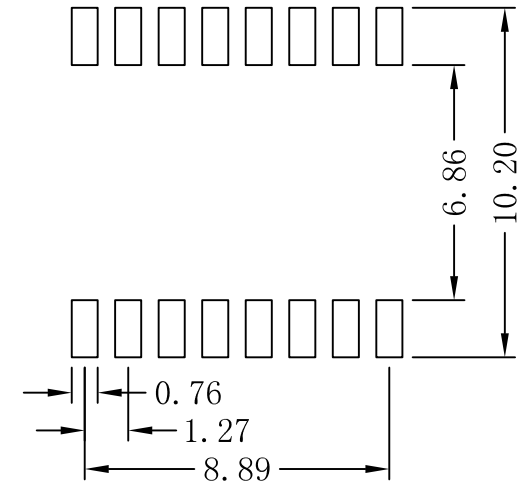
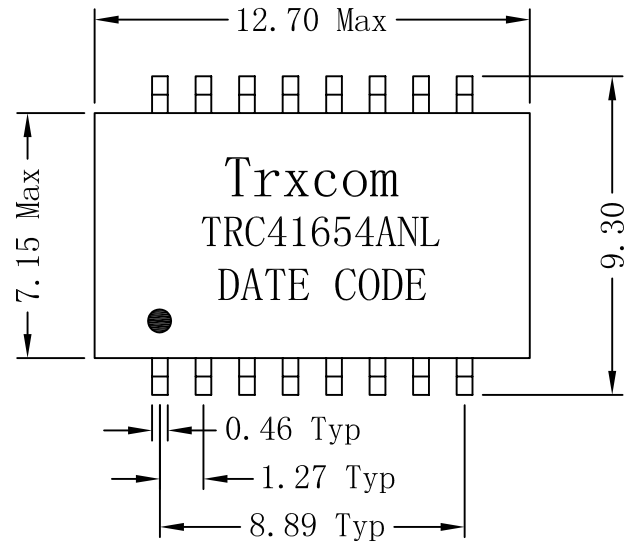
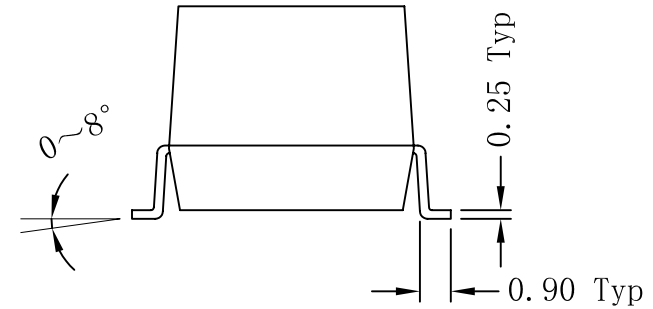
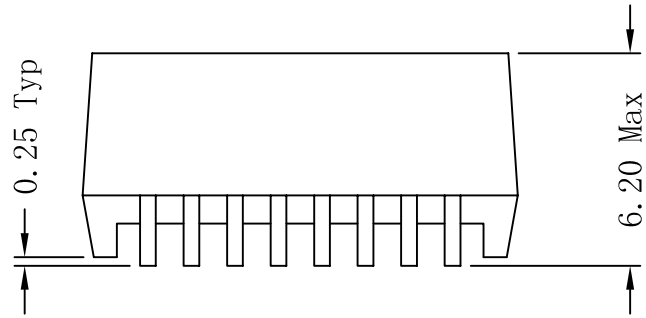


Mechanical:

REV.	ECN NO.	DESCRIPTION	DATE	APPD
A	REL		2012/05/23	



SUGGESTED PAD LAYOUT

Dimensions: mm

Unless otherwise specified, all tolerances are ± 0.25

NOTES:

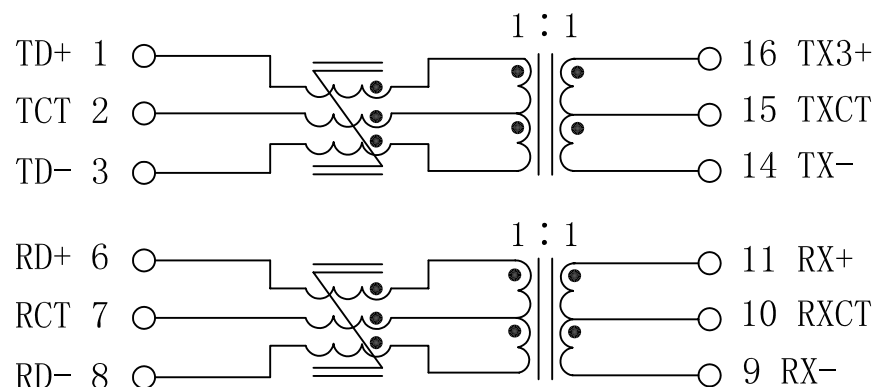
1. Designed to support application, such as SOHO (ADSL modems), LAN-on-Motherboard (LOM), hub and Switches.
2. With various Turns Ratios.
3. RoHS "NL" peak solder rating $260^{\circ}\text{C} \pm 5^{\circ}\text{C}$.
4. UL certification: file number E321120



X:X	APPD:	Trxcom		
X:XX	CHKD:	ShenZhen Trxcom Electronics Co., ltd		
X:XXX	DR: C.H.Y	TITLE: 10/100 Base-T Single Port Transformer Modules For PoE Application		
ANGLES $\pm 1^{\circ}$	UNIT: mm	PART NO.: TRC41654ANL		
	SCALE: 2/1	SHEET: 1/2	REV: A	DWG NO.: TRC12052302

Schematic:

REV.	ECN NO.	DESCRIPTION	DATE	APPD
A	REL		2012/05/23	



Electrical Specifications @25°C

1. OCL: 350uH MIN
@100KHz, 0.1Vrms, 8mADC Bias
2. Turns Ratio:
TX=1CT : 1CT RX=1CT : 1CT
3. Insertion Loss:
0.1-100MHz:-1.2dB MAX
4. Return Loss(dB MIN @100Ω±15Ω):
0.1-30MHz:-16 30-60MHz:-13
60-80MHz:-10
5. Crosstalk(dB MIN):
1MHz:-50
10-100MHz:-35
6. CMRR(dB MIN):
2MHz:-45
30-200MHz:-33
7. DC Current Rating: 600mA DC MAX @57V
8. Hipot: 1500Vrms MIN
9. Operating Temperature: -40°C~+85°C.



X:X	APPD:	Trxcom		
X:XX	CHKD:	ShenZhen Trxcom Electronics Co.,ltd		
X:XXX	DR: C.H.Y	TITLE: 10/100 Base-T Single Port Transformer Modules For PoE Application		
ANGLES ±1°	UNIT: mm	PART NO.: TRC41654ANL		
	SCALE: 2/1	SHEET: 2/2	REV: A	DWG NO.: TRC12052302