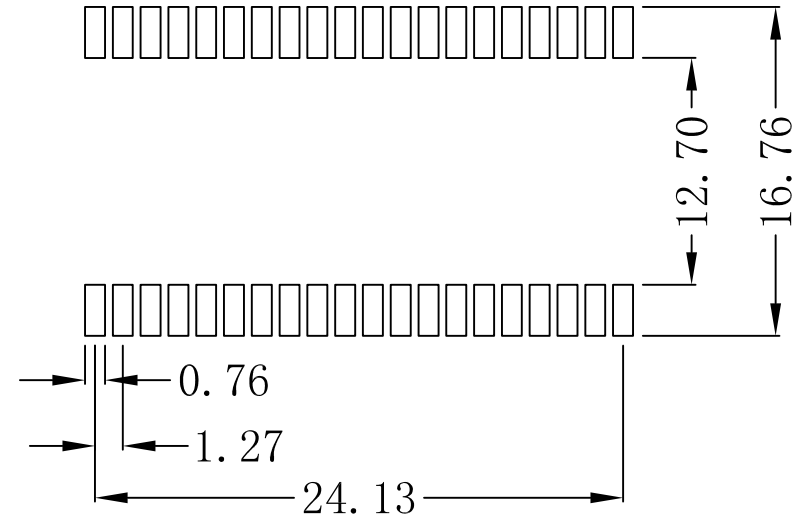
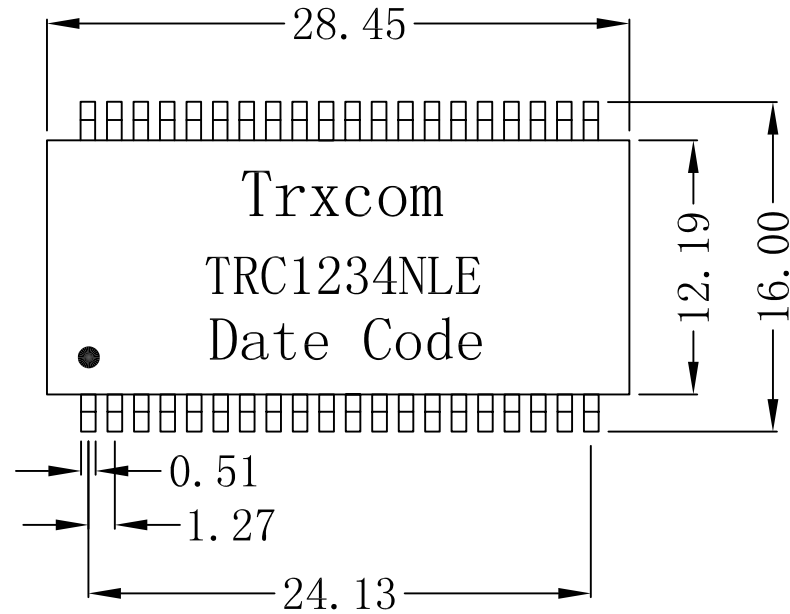
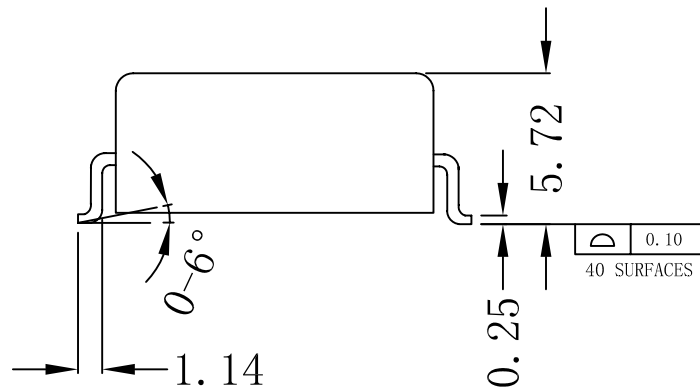


# Mechanical:

REV.	ECN NO.	DESCRIPTION	DATE	APPD
A	REL		2010/05/13	



SUGGESTED PAD LAYOUT



## NOTES:

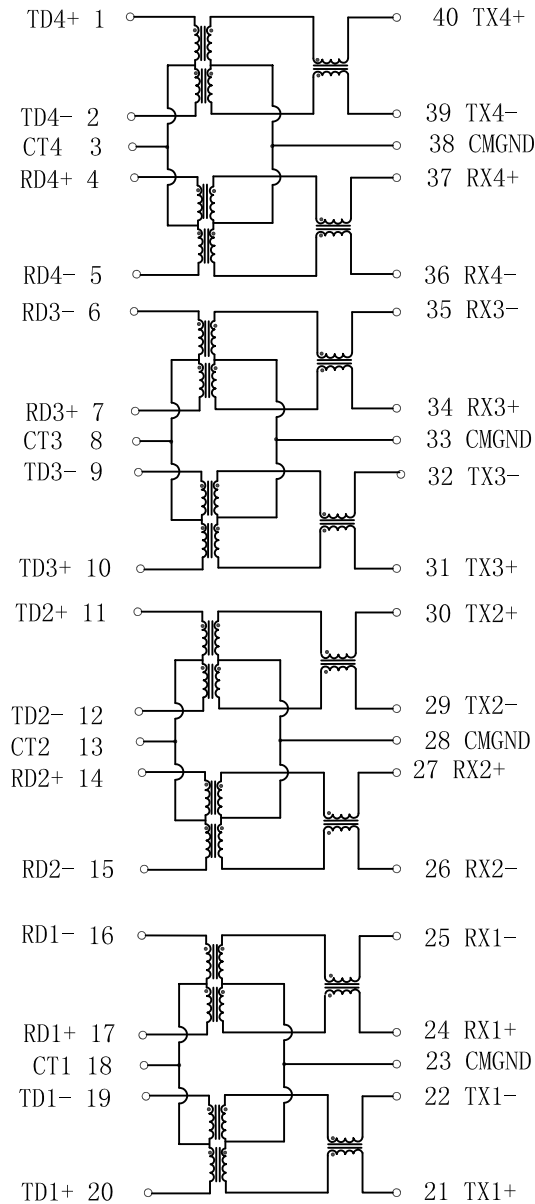
1. Designed to support application, such as SOHO (ADSL modems), LAN-on-Motherboard (LOM), hub and Switches.
2. With various Turns Ratios.
3. 350uH min OCL with 8mA bias current.
4. RoHS "NLE" peak solder rating 235°C.
5. UL Certification: File Number E321120.



X:X	±0.20	APPD:	Trxcom	
X:XX	±0.10	CHKD:	ShenZhen Trxcom Electronics Co., Ltd	
X:XXX	±0.05	DR: C. H. Y	Title: 10/100Base-T Quad Port Transformer Modules	
ANGLES	±1°	UNIT: mm	PART NO.: TRC1234NLE	
	SCALE: 2/1	SHEET: 1/2	REV: A	DWG NO.: TRC10051305

# Schematic:

REV.	ECN NO.	DESCRIPTION	DATE	APPD
A	REL		2010/05/13	



## Electrical Specifications @25°C

### 1. Insertion Loss:

0.1-100MHz:-1.4dB MAX

### 3. Return Loss (dB MIN):

2-30MHz:-18;    40MHz:-14.4

50MHz:-13.1;    60-80MHz:-12

### 4. Crosstalk (dB MIN):

0.1MHz:-55;    30MHz:-45

60MHz:-40;    100MHz:-33

### 5. DCMR (dB MIN):

1-60MHz:-37;    60-200MHz:-25

### 6. Hipot: 1500Vrms

### 7. Operating Temperature:-40~+85°C.



X:X	±0.20	APPD:	<i>Trxcom</i>	
X:XX	±0.10	CHKD:	<i>ShenZhen Trxcom Electronics Co., ltd</i>	
X:XXX	±0.05	DR: C. H. Y	<i>Title: 10/100Base-T Quad Port Transformer Modules</i>	
ANGLES	±1°	UNIT: mm	PART NO.: TRC1234NLE	
	SCALE: 2/1	SHEET: 2/2	REV: A	DWG NO.: TRC10051305