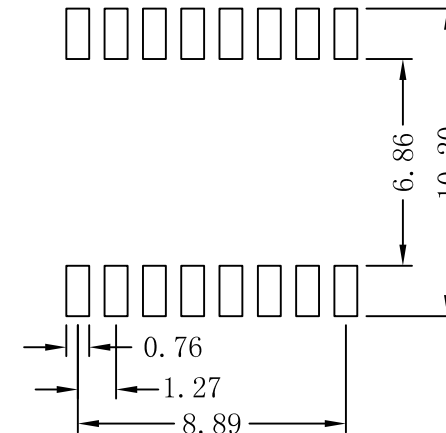
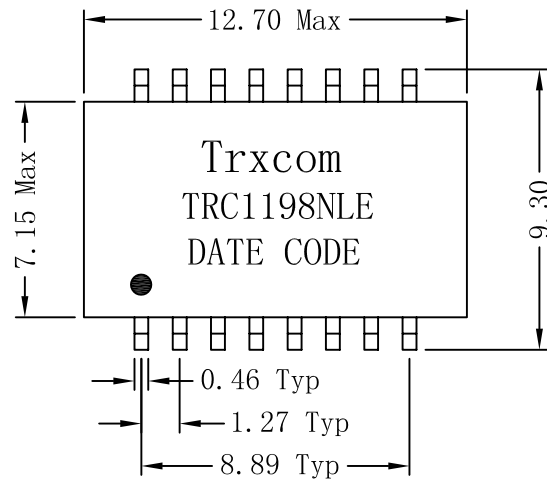
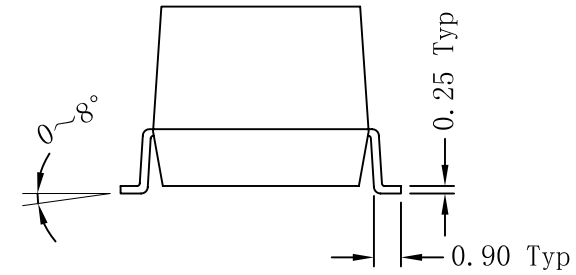
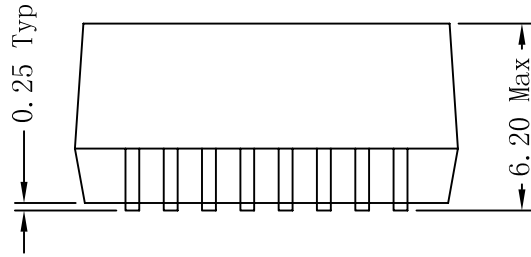
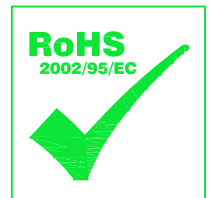


# Mechanical:

REV.	ECN NO.	DESCRIPTION	DATE	APPD
A	REL		27/07/2007	



SUGGESTED PAD LAYOUT



Dimensions: mm

Unless otherwise specified, all tolerances are  $\pm 0.25$

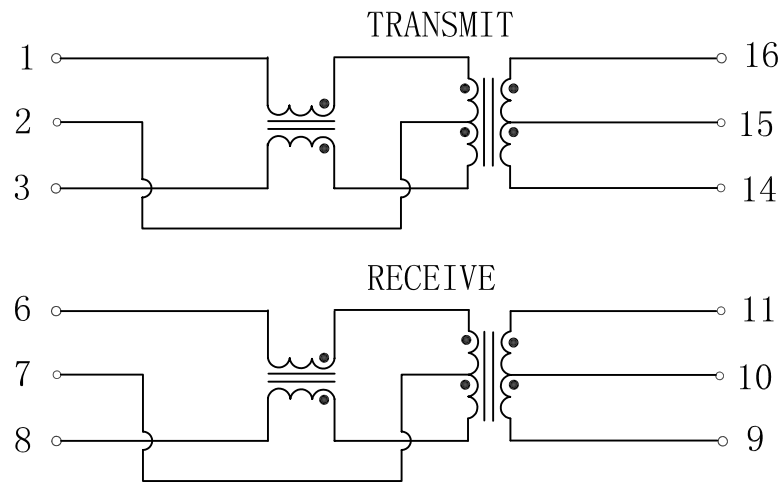
## NOTES:

1. Designed to support application, such as SOHO (ADSL modems), LAN-on-Motherboard (LOM), hub and Switches.
2. With various Turns Ratios.
3. 350uH min OCL with 8mA bias current.
4. RoHS "NLE" peak solder rating 235°C.
5. UL Certification: File Number E321120.

X:X	APPD:	<i>Trxcom</i>		
X:XX	CHKD:	<i>ShenZhen Trxcom Electronics Co., ltd</i>		
X:XXX	DR: C. H. Y	<i>Title: 10/100Base-T Single Port Transformer Modules</i>		
ANGLES $\pm 1^\circ$	UNIT: mm	PART NO.:	TRC1198NLE	
	SCALE: 2/1	SHEET: 1/2	REV: A	DWG NO.:

# Schematic:

REV.	ECN NO.	DESCRIPTION	DATE	APPD
A	REL		27/07/2007	



## Electrical Specification @25°C

- Turns Ratio:  
TX=1CT : 1CT      RX=1CT : 1CT
- Insertion Loss:  
0. 1-100MHz:-1.0dB MAX
- Return Loss (dB TYP) :  
30MHz:-20      60MHz:-14  
80MHz:-12
- Crosstalk (dB TYP) :  
30MHz:-45      60MHz:-40  
100MHz:-35
- DCMR (dB TYP) :  
30MHz:-42      50MHz:-37  
100MHz:-32
- Isolation Voltage: 1500Vrms MIN
- Operating Temperature: -40°C ~ +85°C.



X:X	APPD:	<i>Trxcom</i>	
X:XX	CHKD:	<i>ShenZhen Trxcom Electronics Co.,ltd</i>	
X:XXX	DR: C. H. Y	<i>Title: 10/100Base-T Single Port Transformer Modules</i>	
ANGLES ±1°	UNIT: mm	PART NO. :	TRC1198NLE
	SCALE: 2/1	SHEET: 2/2	REV: A      DWG NO. :