

VI TELEFILTER**Filter specification****TFS 464C****1/5****Measurement condition**

| | | |
|--------------------------|-------|---------|
| Ambient temperature: | 23 | °C |
| Input power level: | 0 | dBm |
| Terminating impedance: * | | |
| Input: | 400 Ω | -4,4 pF |
| Output: | 460 Ω | -5,1 pF |

Characteristics

Remark:

The reference level for the relative attenuation a_{rel} of the TFS 464C is the minimum of the pass band attenuation. This value is defined as the insertion loss a_e . The nominal frequency f_N is fixed at 464,0 MHz without any tolerance. The values of relative attenuation a_{rel} are guaranteed for the whole operating temperature range. The frequency shift of the filter in the operating temperature range is included in the production tolerance scheme.

| Data | | typ. value | | tolerance / limit | | | | |
|---|----|-----------------|---------------------------|---------------------|-------------------|-------|------|-------|
| Insertion loss (reference level) | | $a_e = a_{min}$ | 8,6 dB | max. | 9,5 dB | | | |
| Nominal frequency | | f_N | - | | 464,0 MHz | | | |
| Centre frequency | | f_C | 464,0 MHz | | - | | | |
| Passband | | | - | | $f_N \pm 0,7$ MHz | | | |
| Pass band ripple | | | 0,3 dB | max. | 1,0 dB | | | |
| Bandwidth | | BW | | | | | | |
| 1 | dB | | 1,62 MHz | min. | 1,55 MHz | | | |
| 3 | dB | | 1,81 MHz | max. | 1,92 MHz | | | |
| Relative attenuation | | a_{rel} | | | | | | |
| f_N | - | 96,0 MHz ... | f_N | - | 47,0 MHz | 55 dB | min. | 50 dB |
| f_N | - | 47,0 MHz ... | f_N | - | 1,75 MHz | 43 dB | min. | 40 dB |
| f_N | + | 1,75 MHz ... | f_N | + | 47,0 MHz | 43 dB | min. | 40 dB |
| f_N | + | 47,0 MHz ... | f_N | + | 192,0 MHz | 53 dB | min. | 50 dB |
| Return loss within PB | | | 13 dB | min. | 10 dB | | | |
| Group delay ripple in $f_N \pm 0,5$ MHz | | | 200 ns | max. | 250 ns | | | |
| Group delay ripple in $f_N \pm 0,7$ MHz | | | 400 ns | max. | 500 ns | | | |
| Operating temperature range | | OTR | - | - 40 °C ... + 85 °C | | | | |
| Storage temperature range | | | - | - 45 °C ... + 85 °C | | | | |
| Frequency inversion temperature | | | 33 °C | | | | | |
| Temperature coefficient of frequency | | TC_f ** | -0,037 ppm/K ² | | | | | |

*) The terminating impedances depend on parasitics and q-values of matching elements and the board used, and are to be understood as reference values only. Should there be additional questions do not hesitate to ask for an application note or contact our design team.

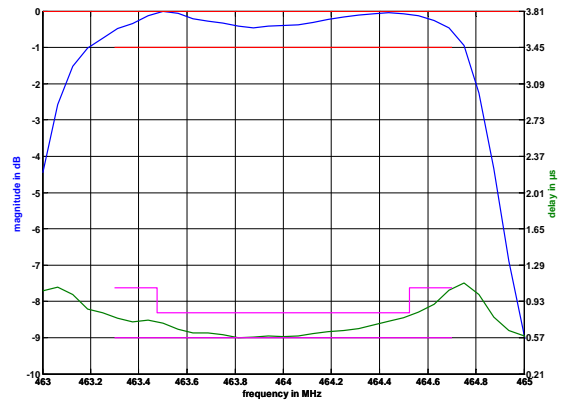
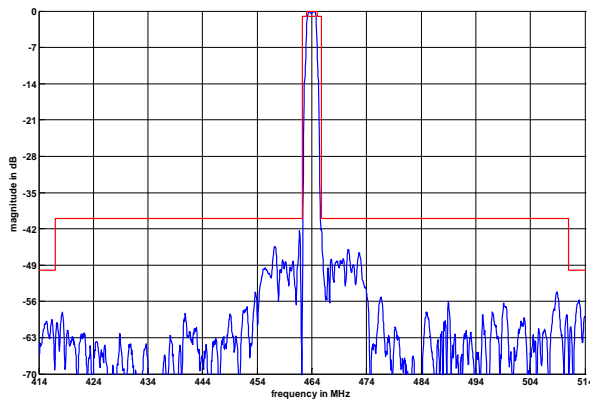
**) $\Delta f(\text{Hz}) = TC_f(\text{ppm/K}^2) \times (T - T_0)^2 \times f_{cat}(\text{MHz})$.

Generated:**Checked / Approved:**

Tele Filter GmbH
Potsdamer Straße 18
D 14 513 TELTOW / Germany
Tel: (+49) 3328 4784-0 / Fax: (+49) 3328 4784-30
E-Mail: tft@telefilter.com

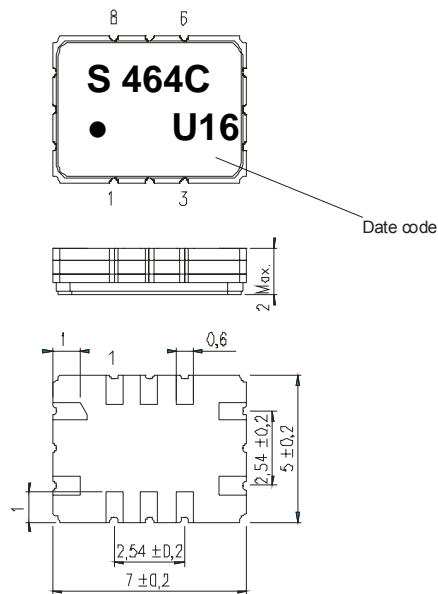
VI TELEFILTER reserves the right to make changes to the product(s) and/or information contained herein without notice. No liability is assumed as a result of their use or application. No rights under any patent accompany the sale of any such product(s) or information.

Filter characteristic



Construction and pin connection

(All dimensions in mm)

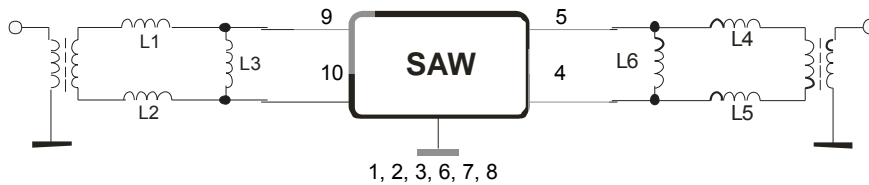


| | |
|----|--------|
| 1 | Ground |
| 2 | Ground |
| 3 | Ground |
| 4 | Output |
| 5 | Output |
| 6 | Ground |
| 7 | Ground |
| 8 | Ground |
| 9 | Input |
| 10 | Input |

Date code: Year + week

| | |
|-----|------|
| U | 2006 |
| V | 2007 |
| W | 2008 |
| ... | |

50 Ohm Test circuit



Tele Filter GmbH
 Potsdamer Straße 18
 D 14 513 TELTOW / Germany
 Tel: (+49) 3328 4784-0 / Fax: (+49) 3328 4784-30
 E-Mail: tft@telefilter.com

VI TELEFILTER reserves the right to make changes to the product(s) and/or information contained herein without notice. No liability is assumed as a result of their use or application. No rights under any patent accompany the sale of any such product(s) or information.

Stability characteristics, reliability

After the following tests the filter shall meet the whole specification:

1. Shock: 500g, 1 ms, half sine wave, 3 shocks each plane;
DIN IEC 68 T2 - 27
2. Vibration: 10 Hz to 500 Hz, 0,35 mm or 5 g respectively, 1 octave per min, 10 cycles per plan, 3 plans;
DIN IEC 68 T2 - 6
3. Change of temperature: -55 °C to 125°C / 30 min. each / 10 cycles
DIN IEC 68 part 2 – 14 Test N
4. Resistance to solder heat (reflow): reflow possible: twice max.;
for temperature conditions refer to the attached "Air reflow temperature conditions" on page 4;

This filter is RoHS compliant (2002/95/EG, 2005/618/EG)

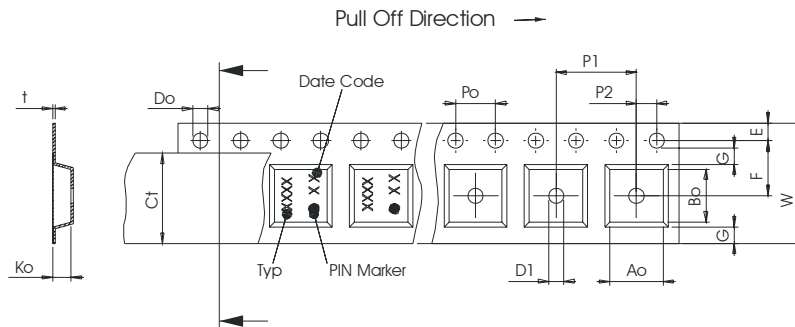
Packing

Tape & Reel: IEC 286 – 3, with exception of value for N and minimum bending radius;
tape type II, embossed carrier tape with top cover tape on the upper side;

max. pieces of filters per reel: 3000
reel of empty components at start: min. 300 mm
reel of empty components at start including leader: min. 500 mm
trailer: min. 300 mm

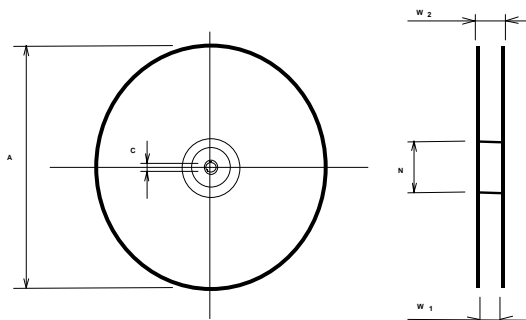
Tape (all dimensions in mm)

- W : 16,00 ± 0,3
- Po : 4,00 ± 0,1
- Do : 1,50 +0,1/-0
- E : 1,75 ± 0,1
- F : 7,50 ± 0,1
- G(min) : 0,60
- P2 : 2,00 ± 0,1
- P1 : 8,00 ± 0,1
- D1(min) : 1,50
- Ao : 5,50 ± 0,1
- Bo : 7,50 ± 0,1
- Ct : 13,5 ± 0,1



Reel (all dimensions in mm)

- A : 330
- W1 : 16,4 +2/-0
- W2(max) : 22,4
- N(min) : 50
- C : 13,0 +0,5/-0,2



The minimum bending radius is 45 mm.

Tele Filter GmbH
Potsdamer Straße 18
D 14 513 TELTOW / Germany
Tel: (+49) 3328 4784-0 / Fax: (+49) 3328 4784-30
E-Mail: tft@telefilter.com

VI TELEFILTER reserves the right to make changes to the product(s) and/or information contained herein without notice. No liability is assumed as a result of their use or application. No rights under any patent accompany the sale of any such product(s) or information.

Air reflow temperature conditions

| Conditions | Exposure |
|--|-----------------------------|
| Average ramp-up rate (30°C to 217°C) | less than 3°C/second |
| > 100°C | between 300 and 600 seconds |
| > 150°C | between 240 and 500 seconds |
| > 217°C | between 30 and 150 seconds |
| Peak temperature | max. 260°C |
| Time within 5°C of actual peak temperature | between 10 and 30 seconds |
| Cool-down rate (Peak to 50°C) | less than 6°C/second |
| Time from 30°C to Peak temperature | no greater than 300 seconds |

Chip-mount air reflow profile



Tele Filter GmbH
 Potsdamer Straße 18
 D 14 513 TELTOW / Germany
 Tel: (+49) 3328 4784-0 / Fax: (+49) 3328 4784-30
 E-Mail: tft@telefilter.com

VI TELEFILTER reserves the right to make changes to the product(s) and/or information contained herein without notice. No liability is assumed as a result of their use or application. No rights under any patent accompany the sale of any such product(s) or information.

VI TELEFILTER**Filter specification****TFS 464C****5/5****History**

| Version | Reason of Changes | Name | Date |
|----------------|---|-------------|-------------|
| 1.0 | - Generation of development specification | Strehl | 31.08.2005 |
| 1.1 | - Change bandwidth and relative attenuation | Strehl | 30.09.2005 |
| 1.2 | - Change passband | Channaa | 01.11.2005 |
| 1.3 | - typical values, filter characteristics and matching configuration added - limits for 1 dB – bandwidth and group delay ripple changed - stability characteristics modified | Pfeiffer | 19.04.2006 |

Tele Filter GmbH
Potsdamer Straße 18
D 14 513 TELTOW / Germany
Tel: (+49) 3328 4784-0 / Fax: (+49) 3328 4784-30
E-Mail: tft@telefilter.com

VI TELEFILTER reserves the right to make changes to the product(s) and/or information contained herein without notice. No liability is assumed as a result of their use or application. No rights under any patent accompany the sale of any such product(s) or information.