

VI TELEFILTER**SAW Resonator Specification****TFR 868C 1/5****Measurement condition**

Ambient temperature: 23 °C
 Input power level: 10 dBm
 Terminating impedances :
 for input: 50 Ω || 0 pF
 for output: 50 Ω || 0 pF

Characteristics**Remark:**

The minimum of the pass band attenuation a_{\min} is defined as the insertion loss a_e . The centre frequency f_c is the measured frequency at the minimum insertion loss point.

D a t a		typ. value	tolerance / limit
Insertion loss (Reference level)	$a_e = a_{\min}$	1,4 dB	max. 2,2 dB
Resonant frequency****	f_R	868,30 MHz	± 75 kHz
Parallel capacitance***	C_0	2,6 pF	-
Motional resistance***	R_1	17 Ω	-
Motional inductance***	L_1	24 μH	-
Motional capacitance****	C_1	1,4 fF	-
Unloaded quality factor****	Q_u	7580	-
Operating temperature range		-	- 10°C... + 70 °C
Storage temperature range		-	- 30°C... + 85 °C
Temperature coefficient *	TC	- 0,036 ppm/K ²	
Frequency inversion temperature	T_o	25 °C	
Frequency aging **	$ f_A $	10 ppm/yr	
Phase	φ		-20 + 20 °

***) Frequency aging is the change in f_R with time. Typically aging is greatest first year after manufacture, decreasing in subsequent years.

*) $\Delta f(\text{Hz}) = TC_f(\text{ppm/K}^2) \times (T - T_o)^2 \times f_{T_o}(\text{MHz})$

****) preliminary values

*****) at ambient temperature

generated: _____

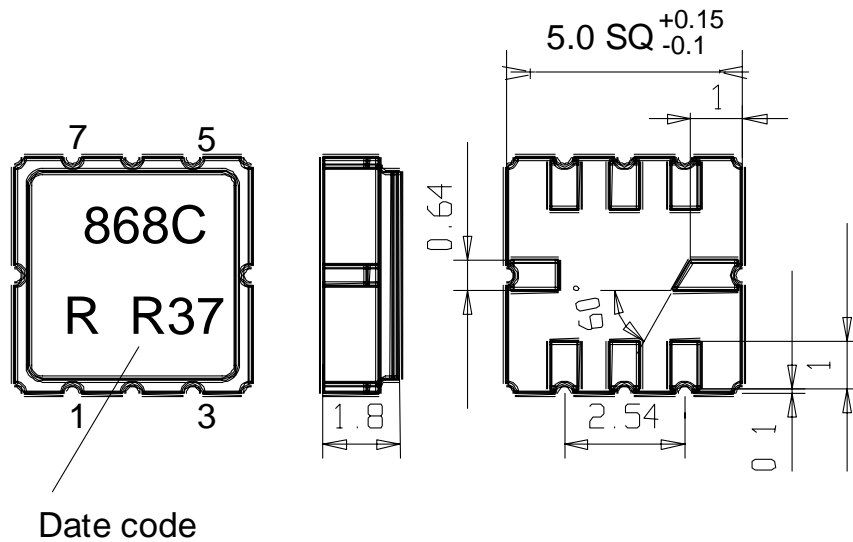
checked / approved: _____

VI TELEFILTER**Potsdamer Straße 18****D 14 513 TELTOW / Germany****Tel: (+49) 3328 4784-0 / Fax: (+49) 3328 4784-30****E-Mail: tft@telefilter.com**

VI TELEFILTER reserves the right to make changes to the product(s) and/or information contained herein without notice. No liability is assumed as a result of their use or application. No rights under any patent accompany the sale of any such product(s) or information.

Construction, pin configuration and 50 Ω - matching network

(All dimensions in mm)



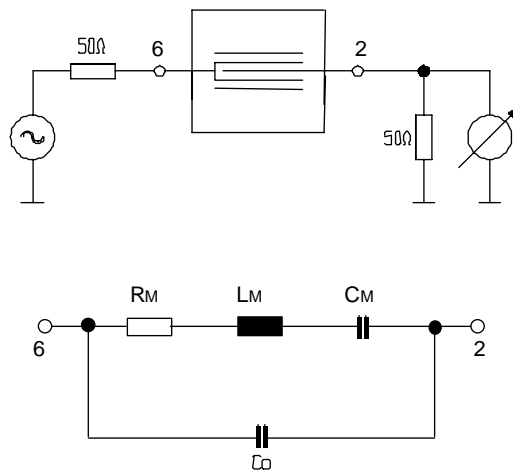
Date code

pin 1 ground
pin 2 output
pin 3 ground
pin 4 package ground

pin 5 ground
pin 6 input
pin 7 ground
pin 8 package ground

date code: year + week
N 2001
P 2002
R 2003
....

50 Ohm test circuit 1



VI TELEFILTER

Potsdamer Straße 18
D 14 513 TELTOW / Germany
Tel: (+49) 3328 4784-0 / Fax: (+49) 3328 4784-30
E-Mail: tft@telefilter.com

VI TELEFILTER reserves the right to make changes to the product(s) and/or information contained herein without notice. No liability is assumed as a result of their use or application. No rights under any patent accompany the sale of any such product(s) or information.

Stability characteristics

After the following tests the resonator shall meet the whole specification:

1. Shock: 500g, 18 ms, half sine wave, 3 shocks each plane;
DIN IEC 68 T2 - 27
2. Vibration: 10 Hz to 500 Hz, 0,35 mm or 5g respectively, 1 octave per min, 10 cycles per plan, 3 plans;
DIN IEC 68 T2 - 6
3. Change of temperature: -55 °C to 125°C / 30 min. each / 10 cycles
DIN IEC 68 part 2 – 14 Test N
4. Resistance to solder heat (reflow): reflow possible: twice max.;
for temperature conditions, please refer to the attached "Air reflow temperature conditions" on page 4;

Packing

tape & reel:

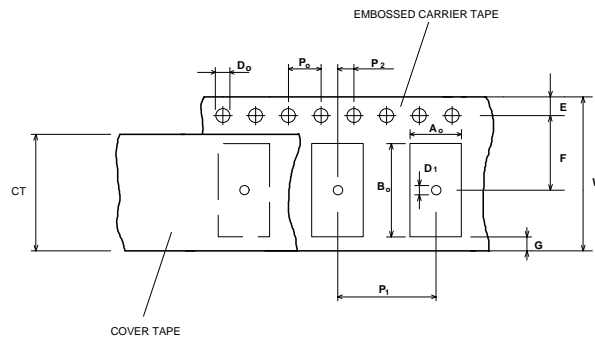
IEC 286 - 3, with exception of value for N and minimum bending radius;
tape type II, embossed carrier tape with top cover tape on the upper side;

max. pieces of filters per reel:
reel of empty components at start:
reel of empty components at start including leader:
trailer

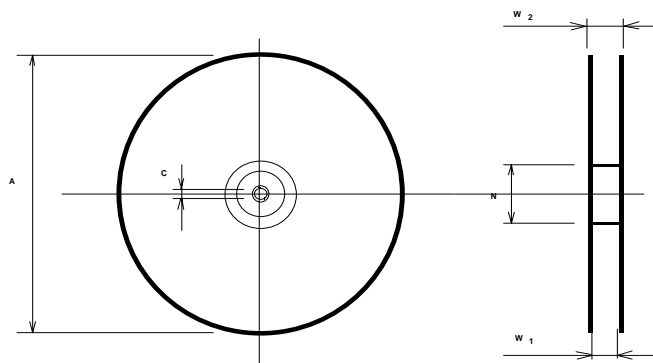
3000
min 300 mm
min 500 mm
min 300 mm

Tape (all dimensions in mm)

W	: 12 ± 0,3
Po	: 4 ± 0,1
Do	: 1,5 + 0,1
E	: 1,75 ± 0,1
F	: 5,5 ± 0,05
G (min)	: 0,75
P2	: 2 ± 0,05
P1	: 8 ± 0,10
D1(min)	: 1,5
Ao	: 5,30 ± 0,1
Bo	: 5,30 ± 0,1
CT	: 13,0 ± 0,2

**Reel (all dimensions in mm)**

A	: 330
W1	: 12,4 + 2
W2 (max)	: 18,4
N (min)	: 50
C	: 13 +0,5/-0,2



The minimum bending radius is 45 mm. The mounting surface of the filters faces the bottom side of the embossed carrier tape. Markings on the filters can be read if the upper side of the carrier tape is regarded with the sprocket holes on its right.

VI TELEFILTER

Potsdamer Straße 18

D 14 513 TELTOW / Germany

Tel: (+49) 3328 4784-0 / Fax: (+49) 3328 4784-30

E-Mail: tft@telefilter.com

VI TELEFILTER reserves the right to make changes to the product(s) and/or information contained herein without notice. No liability is assumed as a result of their use or application. No rights under any patent accompany the sale of any such product(s) or information.

Air reflow temperature conditions

1st and 2nd air reflow profile

Name:	pre-heating periods	main-heating periods	peak temperature
Temperature:	150 °C - 170 °C	over 200 °C	255 °C ± 5 °C
Time:	60 sec. - 90 sec.	20 sec. - 25 sec.	

Chip-mount air reflow profile

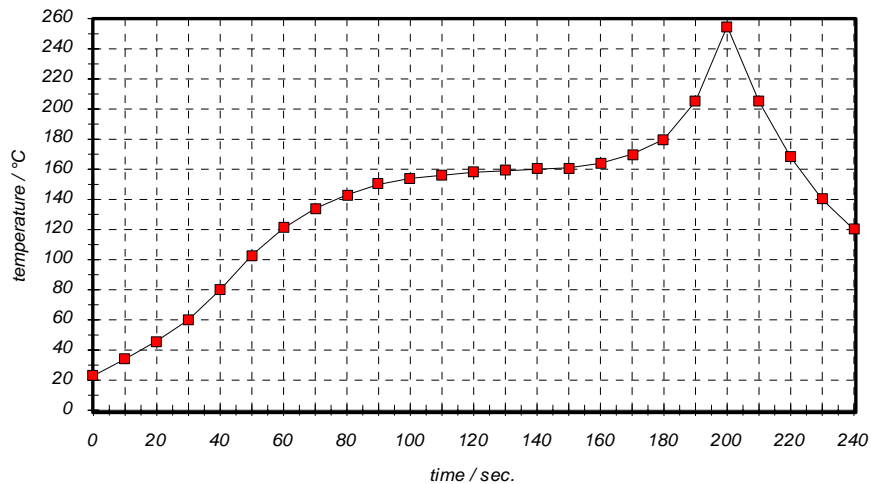


Table for temperature vs. time during the air reflow process

Tolerance of temperatures: ± 5 °C

time / sec.	temperature / °C	time / sec.	temperature / °C
0	23	140	160
10	34	150	161
20	46	160	164
30	60	170	170
40	80	180	180
50	103	190	205
60	121	195	230
70	134	200	255
80	143	205	230
90	150	210	205
100	154	215	180
110	156	220	165
120	158	230	140
130	159	240	120

VI TELEFILTER**SAW Resonator Specification****TFR 868C 5/5**

History

version	reason of changes	name	date
1.0	generate specification	Konietzko	09.09.2003

VI TELEFILTER
Potsdamer Straße 18
D 14 513 TELTOW / Germany
Tel: (+49) 3328 4784-0 / Fax: (+49) 3328 4784-30
E-Mail: tft@telefilter.com

VI TELEFILTER reserves the right to make changes to the product(s) and/or information contained herein without notice. No liability is assumed as a result of their use or application. No rights under any patent accompany the sale of any such product(s) or information.