

High Efficiency lens
with 24° Narrow Flood Beam
for LZP-series 90W Watt emitters
with holder



LLNF-3T11-H

This 24° beam lens combined with LedEngin LZP-series 90W single color emitters provides an efficient and highly uniform smooth light gradient for illumination applications. Our unique design provides you with maximum luminous output and excellent beam uniformity.

Key Features

- Smooth light gradient eliminates hot spots and rings for superior illumination.
- Designed specifically for LZP-series 90W single color emitter series.
- Compatible with our standard MCPCB assemblies.
- Optical grade PMMA lens material allows use of high current and temperature conditions.
- Simple fastening of holder to PCB with appropriate adhesive, e.g. epoxy or polyurethane based.
- Patent pending.

Optical Specifications – Typical Values

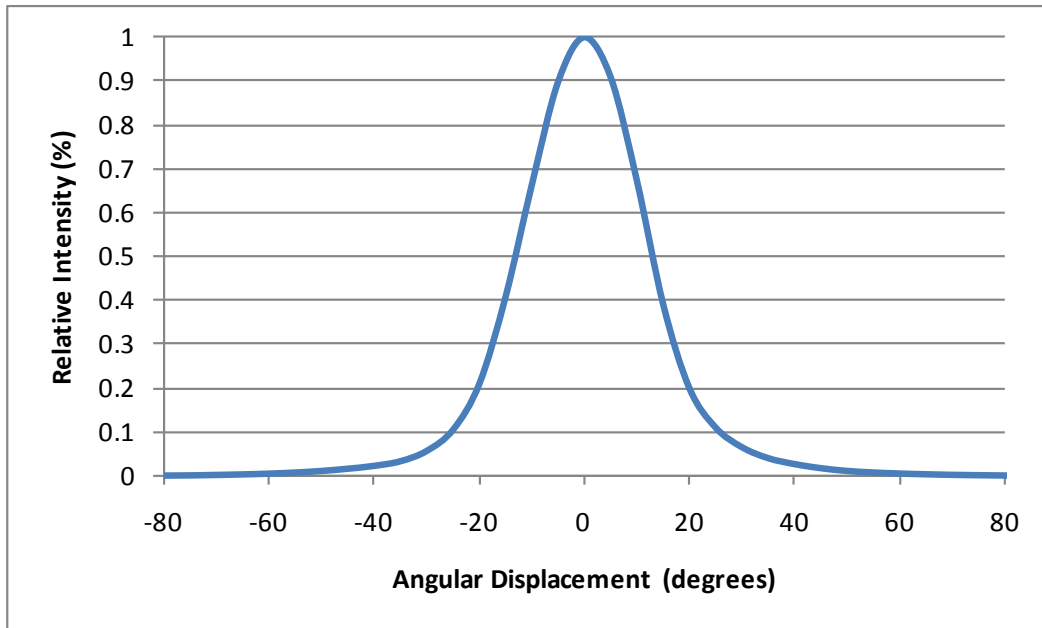
Parameter	Value
Viewing Angle (FWHM)	24°
Optical Efficiency	80%

Mechanical Specifications

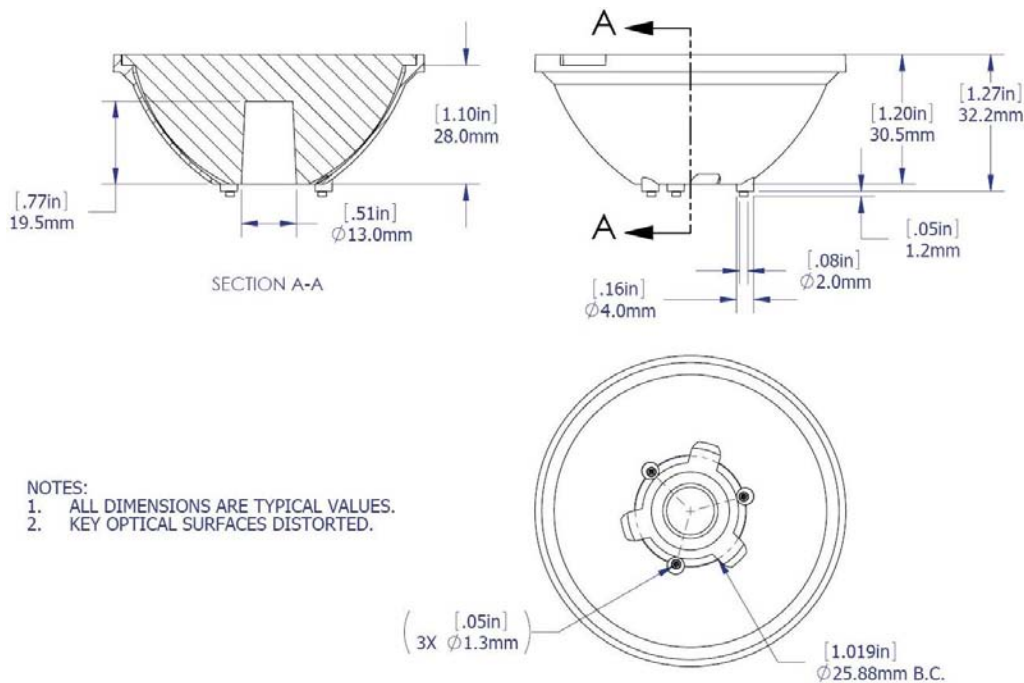
Parameter	Value
Height from Seating Plane	32.2 mm
Maximum Width	72.8 mm
Operating Temperature Range	-40°C ~ +110°C
Acceptable bonding materials*	Epoxy or polyurethane-based adhesives

*note: do not use a cyanoacrylate (superglue) adhesive to avoid lens contamination!

Typical Relative Intensity over Angle



Outline Dimensions



Contact Information

LedEngin, Inc.
3350 Scott Boulevard, Building #9
Santa Clara, CA 95054 USA

Tel: +1 (408) 492-0620
E-mail: Sales@ledengin.com
Website: www.ledengin.com