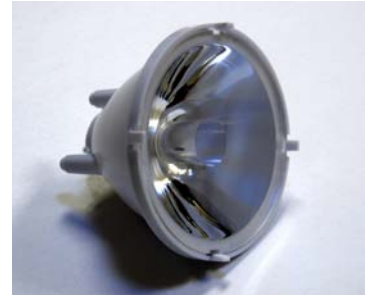


High Uniformity Color-mixing Lens

Superior color uniformity
for multi-color emitters



LLSP-2T06-H

This unique lens enables the design and implementation of new, high quality, high brightness products with the most superior color-mixing optic available. The high uniformity color-mixing lens delivers exceptional color quality for 10W multi-color RGGB and RGBA emitters.

Key Features

- Superior color uniformity for multi-color RGGB and RGBA emitters over the full color spectrum
- Designed specifically for 10W multi-color series of RGGB and RGBA emitters; part numbers LZ4-20Mx10-xxxx
- Compatible with Standard MCPCB assemblies
- Optical grade PMMA lens material allows use of high current and temperature conditions
- Simple fastening of holder to PCB with appropriate adhesive, e.g. epoxy or polyurethane based.
- Patent pending

Optical Specifications – Typical Values

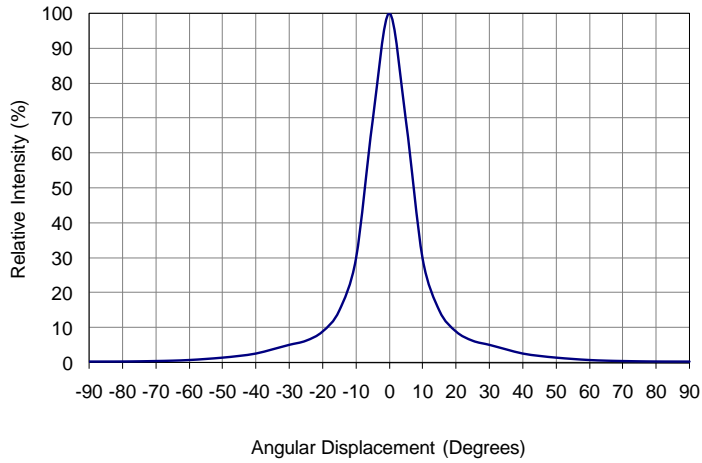
Parameter	Value
Viewing Angle (FWHM)	15°
Optical Efficiency	50%
Color Mixing	Superior

Mechanical Specifications

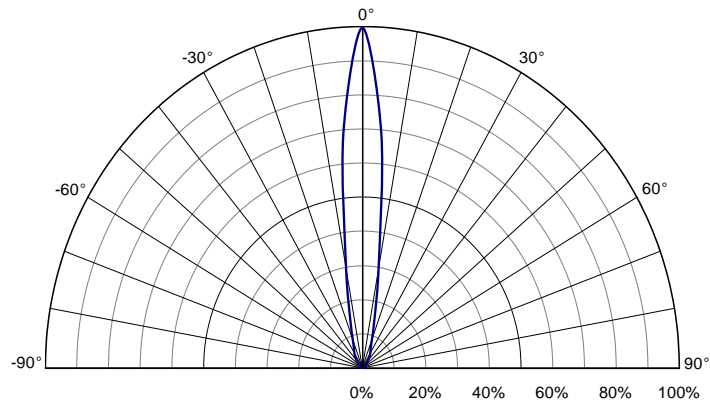
Parameter	Value
Height from Seating Plane	34.90mm
Maximum Width	47.50mm
Operating Temperature Range	-40°C ~ +110°C
Acceptable bonding materials*	Epoxy or polyurethane-based adhesives

*Note: do not use a cyanoacrylate (superglue) adhesive!

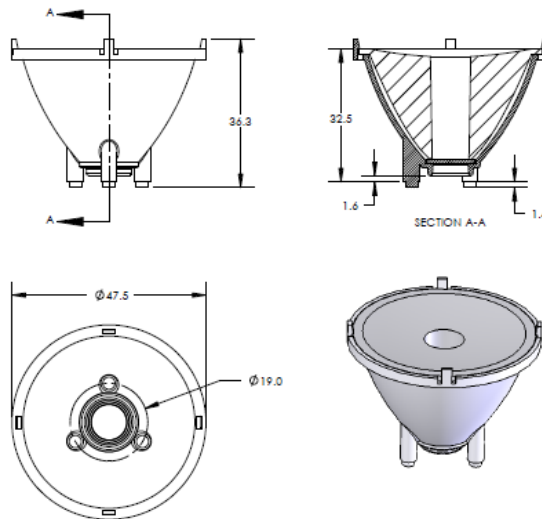
Typical Relative Intensity over Angle



Typical Radiation Pattern



Outline Dimensions



Contact Information

LedEngin, Inc.
3350 Scott Boulevard, Building #9
Santa Clara, CA 95054 USA

Tel: +1 (408) 492-0620
E-mail: Sales@ledengin.com
Website: www.ledengin.com