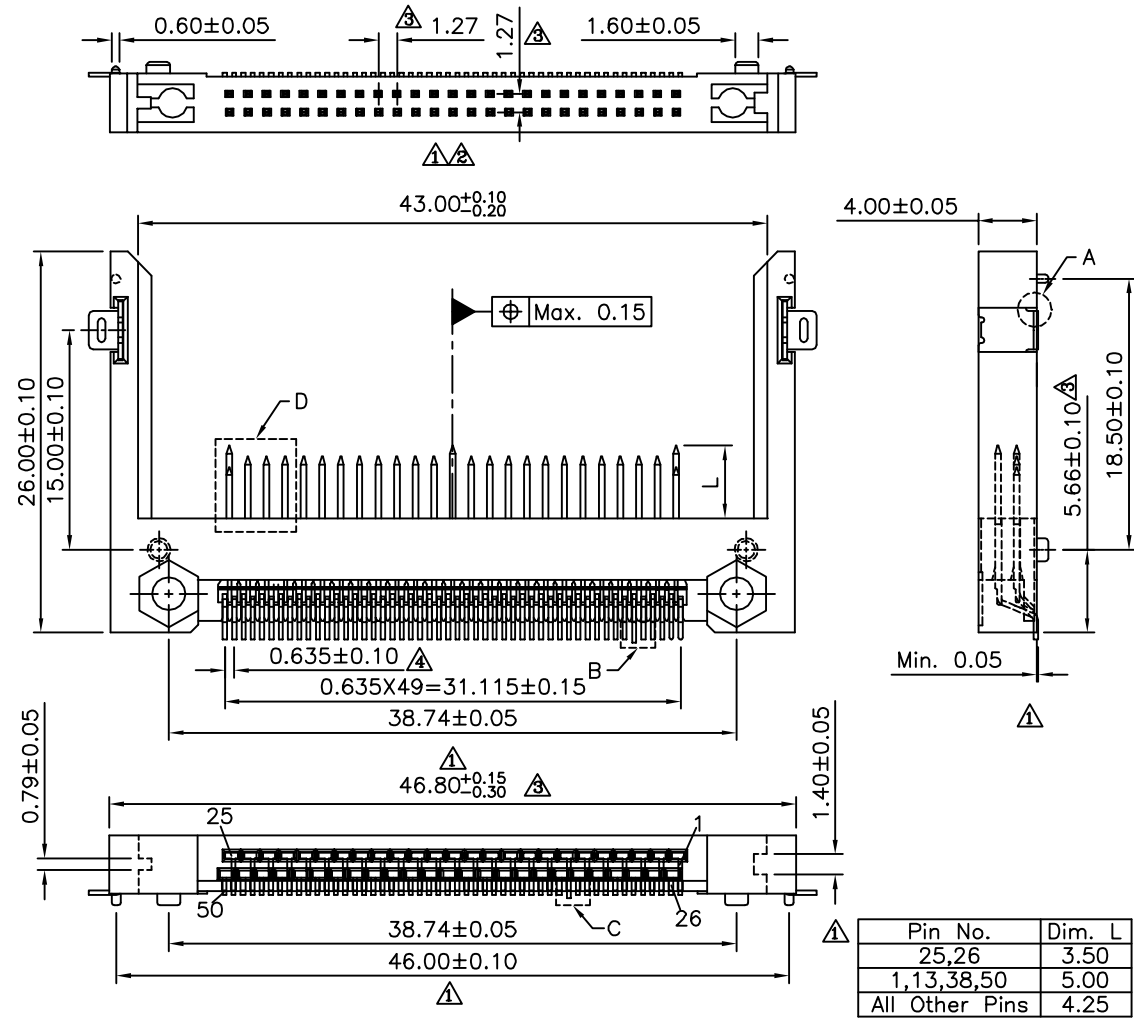
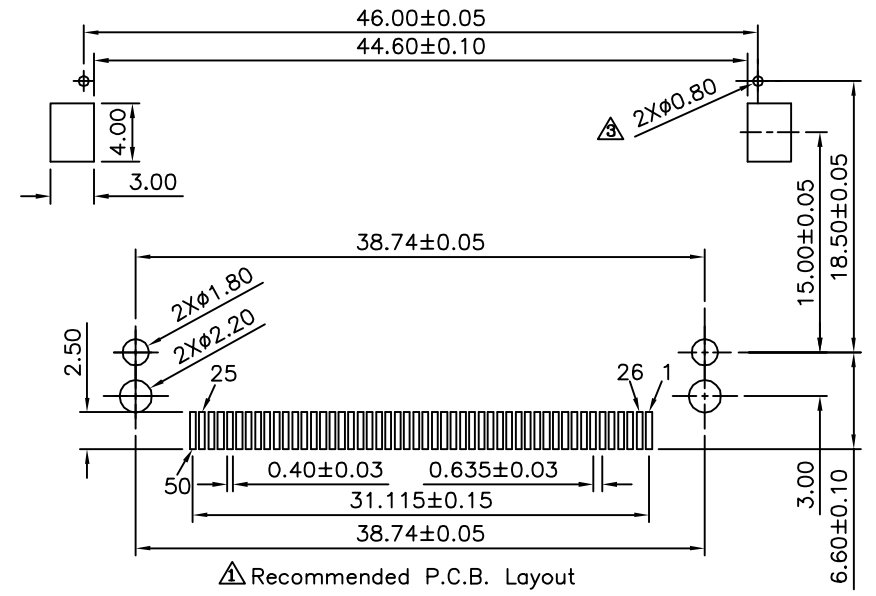
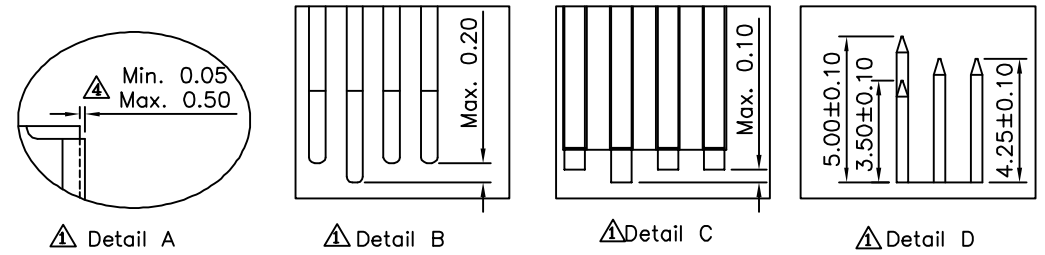


**△ SPECIFICATION**

- 1.General Characteristics**  
CF Card 50P Header Slim Type SMT 90° Stand Off 0mm  
Normal With Screw Distance:38.74mm Guide  
Length:26mm With Post Selective Gold Flash
- 2.Material&Finish**  
Insulator:LCP, Yellow  
Contact:Brass, Gold Flash On Contact Area, Tin Plated On Solder Tails, Over Nickel  
Mount Ear:Brass, Tin Plated
- 3.Electrical Characteristics**  
Current Rating:0.5 Amp(Per Pin)  
Voltage Rating:100V AC(Per Pin)  
Contact Resistance:40 Milliohms Max.  
After Test:20 Milliohms Max.  
Insulation Resistance:1000 Megaohms Min. At 500V DC  
After 1 Minute:100 Megaohms Min.  
Dielectric Withstanding Voltage:500V AC RMS For 1 Minute
- 4.Environmental Characteristics**  
Practical Temperature Range:-25°C~+70°C
- 5.Mechanical Characteristics**  
Durability:10000 Cycles(Speed:500 Cycles/Hour)
- △ Single Pin Holding Force:4.9N Min.**  
**Total Mating Force:28.8N Max.**  
**Total Unmating Force:4.9~24.5N**
- 6.RoHS Compliant**



Pin No.	Dim. L
25,26	3.50
1,13,38,50	5.00
All Other Pins	4.25



**AUK** A MEMBER OF AUK GROUP  
**太聯事業股份有限公司**  
**AUK CONTRACTORS CO., LTD.**

CATEGORY		APPROVED BY		UNLESS OTHERWISE SPECIFIED TOLERANCES ARE △ .X ±0.38 △ .XX ±0.25 △ ANG.
PART No. CFC50PW001S36P-H		MEI		
DRAWING No. CFC50PW001S36P-H		HZF		
SCALE	NONE	REV.	B4	UNIT mm

△ B4	Modify Data	HZF	04/22/2013
△ B3	Modify Data	HZF	11/28/2012
△ B2	Modify Data	HZF	05/15/2012
△ B1	Modify Data	HZF	04/21/2011
△ B0	NEW RELEASE	HZF	11/22/2006
NO. REV.	REVISIONS	CHK	DATE