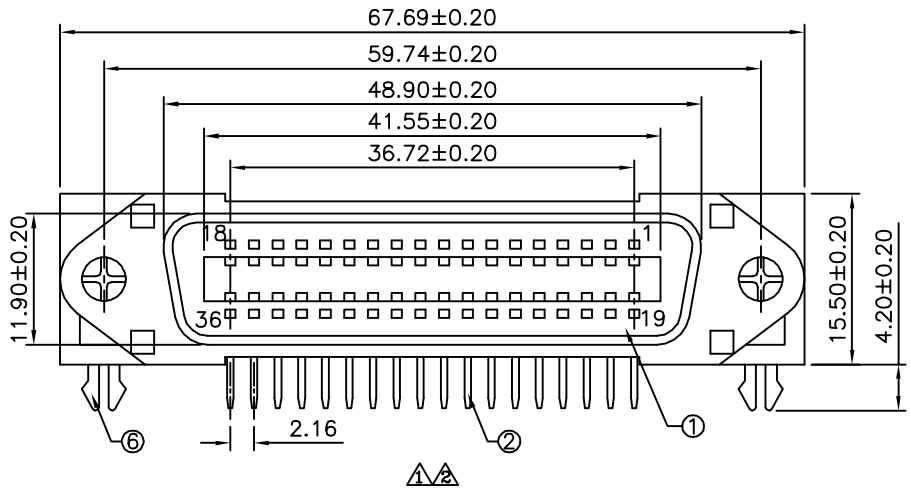


Recommended P.C.B. Layout



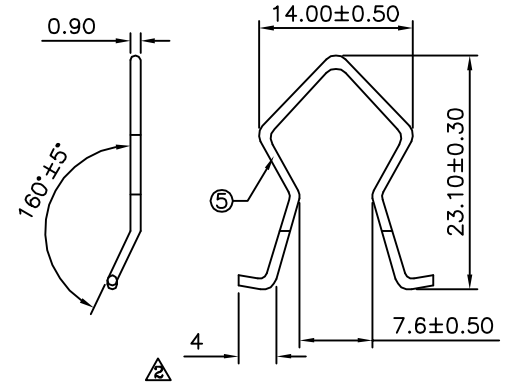
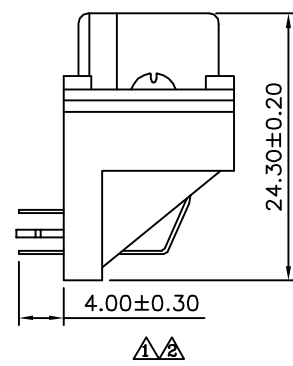
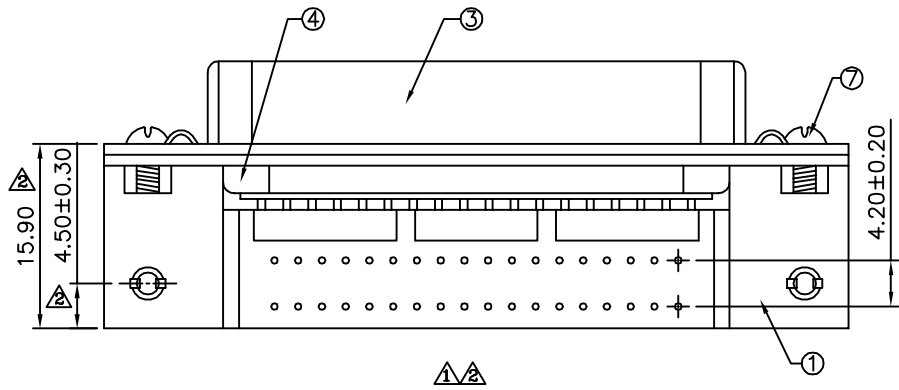
△ SPECIFICATION

Current Rating:1A Max.
 Dielectric Withstanding Voltage:500V AC For 1 Minute
 Contact Resistance:30 Milliohms Max.
 Insulation Resistance:1000 Megaohms Min. At 500V DC
 Temperature Range:-55°C~+105°C
 Insertion Force:6.5 Kgf Max.
 Extraction Force:2.5 Kgf Min.
 RoHS Compliant

⑦	Screw	2	Steel	Nickel Plated Over Copper
⑥	"Z" Type Boardlock	2	Brass	Tin Plated
⑤	Spring	2	Stainless	Nickel Plated Over Copper
④	Back Shell	1	Cold Rolled Steel	Nickel Plated Over Copper
③	Front Shell	1	Cold Rolled Steel	Nickel Plated Over Copper
②	Contact	36	Brass	Gold Flash On Contact Area,Tin Plated On Solder Tails,Over Nickel
①	Housing	2	PBT,UL94V-0	Blue
No.	Name	Q'ty	Material	Remark

△ C R Z 36 S - H
 (1) (2) (3) (4) (5) (6)

- (1) C:2.16mm Centronic
- (2) R:DIP Right Angle
- (3) Z:With Boardlock
- (4) 36:No. Of Position
- (5) S:Female With Spring Latch
- (6) H:RoHS Compliant



AUK A MEMBER OF AUK GROUP
太聯事業股份有限公司
AUK CONTRACTORS CO., LTD.

CATEGORY		APPROVED BY		UNLESS OTHERWISE SPECIFIED TOLERANCES ARE .X ±0.30 .XX ±0.20 .XXX ±0.10 ANG. ±1°
PART No. △ CRZ36S-H		MEI		
DRAWING No. CRZ36S-H		CHECKED BY HZF		
SCALE NONE		DRAWING BY SONG		
REV.	A2	UNIT mm	①	

NO.	REV.	REVISIONS	CHK	DATE
△ A2		Modify Data	HZF	03/28/2013
△ A1		Modify P/N: CRZXXS-H → CRZ36S-H	HZF	08/13/2010
△ A0		NEW RELEASE	HZF	04/16/2008