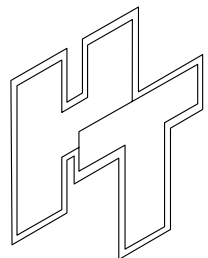
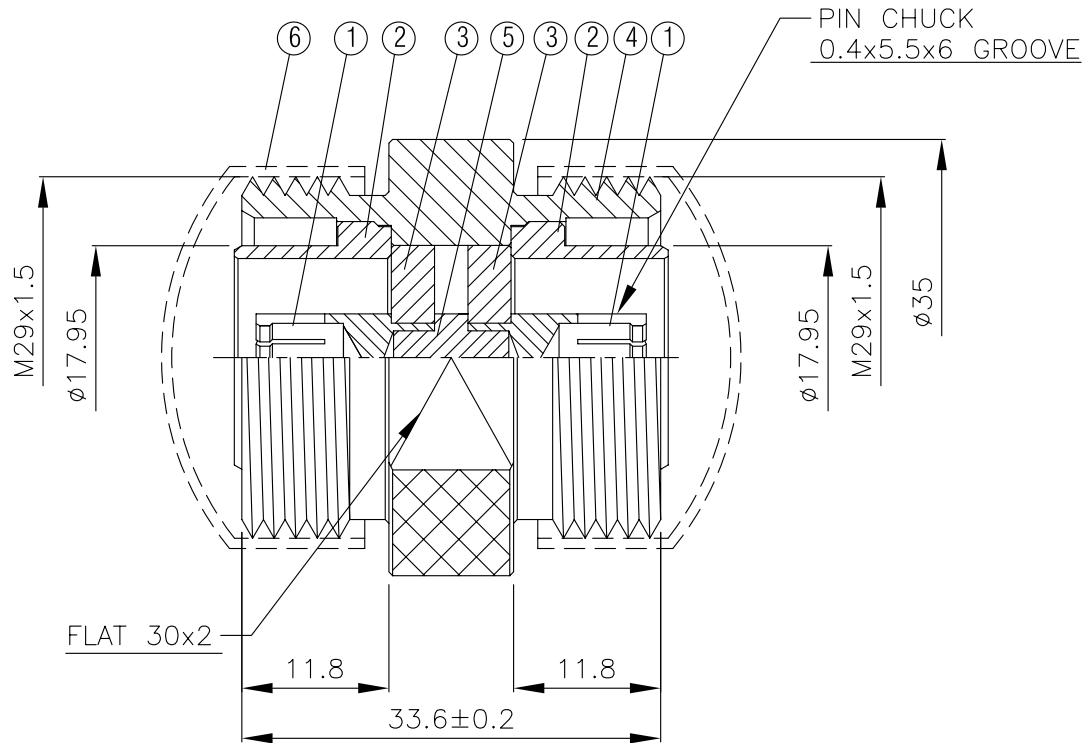
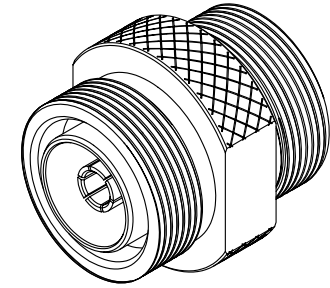


NO	DESCRIPTION	MATERIAL	Q'TY	FINISH	REMARK
1	PIN 1	BE CU	2	SILVER	P-7160421-S
2	BODY 1	BRASS	2	SILVER	B-7160343-S
3	INSULATION	TEFLON	2	TEFLON	I-0211T
4	BODY 2	BRASS	1	SILVER	B-7160389-S
5	PIN 2	BRASS	1	SILVER	P-7160250-S
6	GASKET	SI RUBBER	2	RUBBER	RU-0040



HUS-TSAN GROUP CO., LTD.

P.O.BOX 40-76.TAINAN.TAIWAN,R.O.C.

TITLE
7/16 FEMALE - FEMALE ADAPTOR

PART NO.
716-09-TSS

DRAWING NO. 716 09 TSS

DRAWN MARY DATE 91.12.02

CHECKED 蘇姿潔 DATE

Q.A. 馮健華 DATE

APPROVAL 徐燦霖 DATE

REVISION DATE

DIMENSIONS ARE IN MILLIMETERS

UNLESS OTHERWISE SPECIFIED TOLERANCE

0.5-5=±0.2 120-315=±1

5-30= ±0.4 315-1000=±1.6

30-120±0.6 1000-2000=±2.4

SCALE 4:1 SIZE A

REVISION

DESCRIPTION ENGINEER

D

C

B

A

D

C

B

A