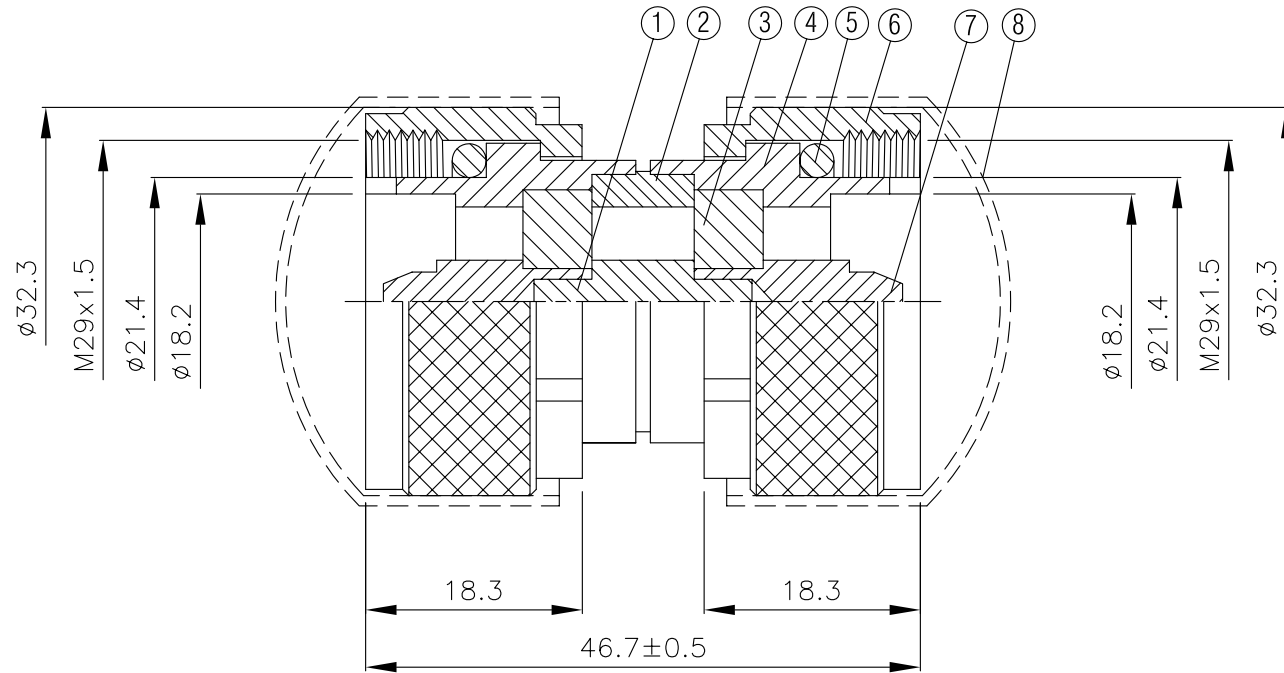
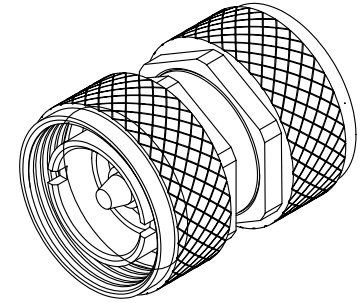
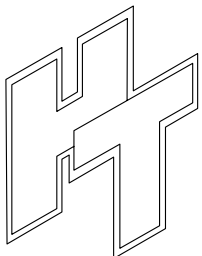


NO	DESCRIPTION	MATERIAL	Q'TY	FINISH	REMARK
1	PIN	BRASS	1	SILVER	P-7160241-S
2	BODY 1	BRASS	1	SILVER	B-7160378-S
3	INSULATION	TEFLON	2	TEFLON	I-0211T
4	BODY 2	BRASS	2	SILVER	B-7160339-S
5	GASKET	SI RUBBER	2	RUBBER	RU-0020
6	BODY 3	BRASS	2	SILVER	B-7160338-S
7	PIN	BRASS	2	SILVER	P-7160522-S
8	GASKET	SI RUBBER	2	RUBBER	RU-0039



	HUS-TSAN GROUP CO., LTD. P.O. BOX 40-76. TAINAN. TAIWAN, R.O.C.		DRAWN MARY DATE 90.01.22	DIMENSIONS ARE IN MILLIMETERS		REVISION	
	TITLE 7/16 MALE - MALE ADAPTOR		CHECKED 蘇姿潔 DATE	UNLESS OTHERWISE SPECIFIED TOLERANCE		DESCRIPTION	ENGINEER
	PART NO. 716-08-TSS		Q.A. 馮健華 DATE	0.5-5=±0.2 120-315=±1 5-30=±0.4 315-1000=±1.6 30-120±0.6 1000-2000=±2.4			
	DRAWING NO. 716-08-TSS		APPROVAL 徐燦霖 DATE	SCALE 4:1 SIZE A			
			REVISION DATE				