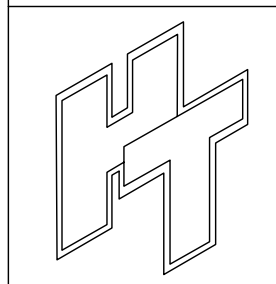
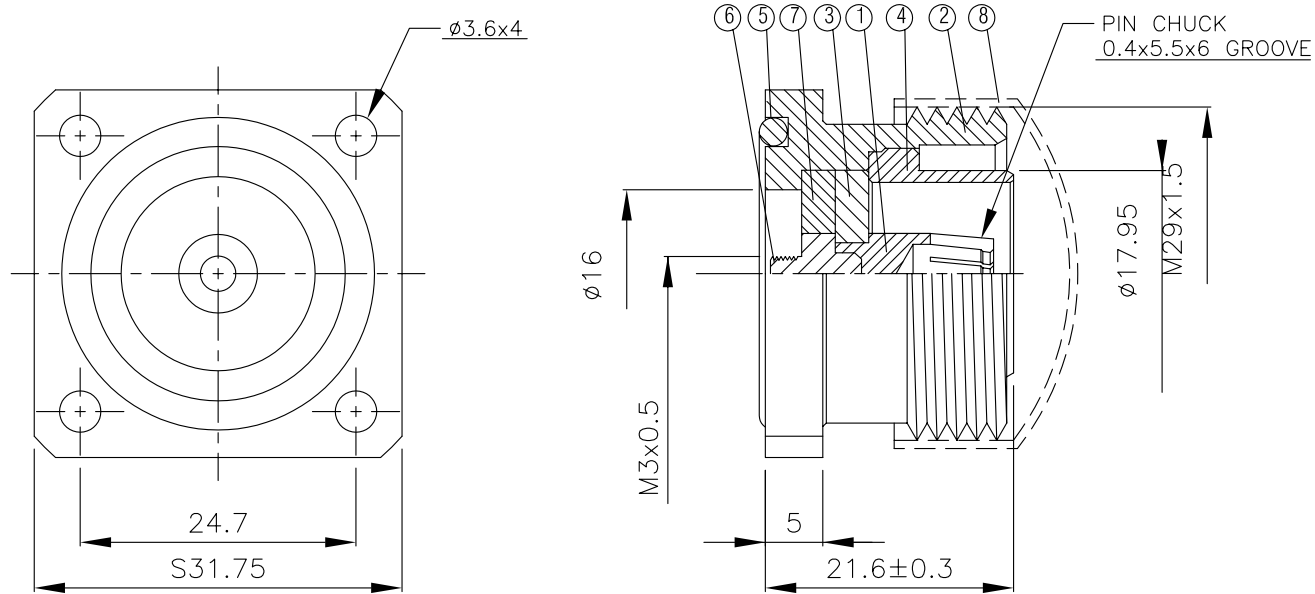
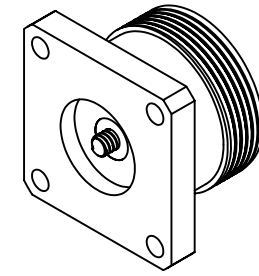


NO	DESCRIPTION	MATERIAL	Q'TY	FINISH	REMARK
1	PIN 1	BE CU	1	SILVER	P-7160421-S
2	BODY 1	BRASS	1	SILVER	B-7160448-S
3	INSULATION 1	TEFLON	1	TEFLON	I-0211T
4	BODY 2	BRASS	1	SILVER	B-7160343-S
5	GASKET	SI RUBBER	1	RUBBER	RU-0030
6	PIN 2	BE CU	1	SILVER	P-7160298-S
7	INSULATION 2	TEFLON	1	TEFLON	I-0214T
8	GASKET	SI RUBBER	1	RUBBER	RU-0040



**HUS-TSAN GROUP CO., LTD.**  
P.O.BOX 40-76.TAINAN.TAIWAN,R.O.C.  
**TITLE** 7/16 PANEL JACK RECEPTACLE-  
**THREADED CONTACT**  
**PART NO.** 716-07V6-TSS  
**DRAWING NO.** 716 07V6 TSS

<b>DRAWN</b> MARY	<b>DATE</b> 91.12.02
<b>CHECKED</b> 蘇姿潔	<b>DATE</b>
<b>Q.A.</b> 馮健華	<b>DATE</b>
<b>APPROVA</b> 徐燦霖	<b>DATE</b>
<b>REVISION</b>	<b>DATE</b>

<b>DIMENSIONS ARE IN MILLIMETERS</b>			
UNLESS OTHERWISE SPECIFIED TOLERANCE			
0.5-5=±0.2	120-315=±1		
5-30=±0.4	315-1000=±1.6		
30-120±0.6	1000-2000=±2.4		
<b>SCALE</b> 4:1	<b>SIZE</b> A		

<b>REVISION</b>	
<b>DESCRIPTION</b>	<b>ENGINEER</b>