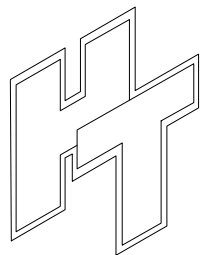
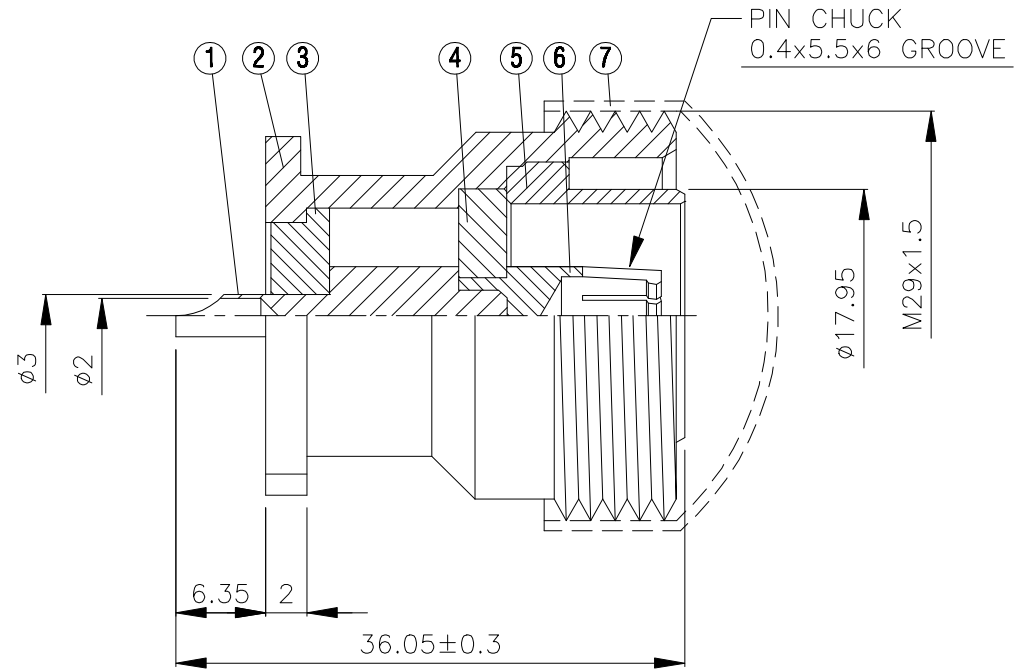
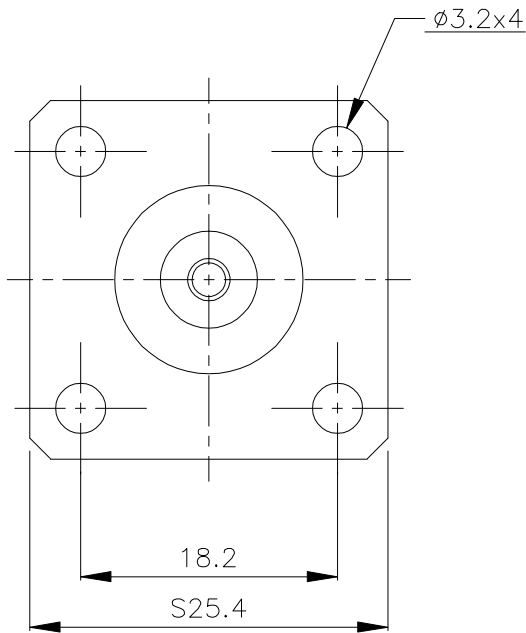
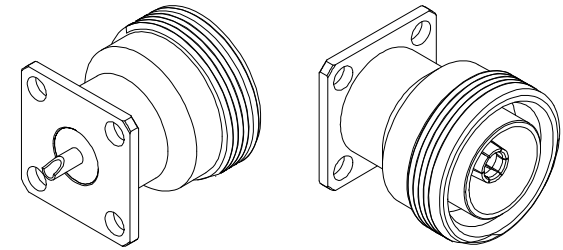


NO	DESCRIPTION	MATERIAL	Q'TY	FINISH	REMARK
1	PIN 1	BE CU	1	SILVER	P-7160297-S
2	BODY 1	BRASS	1	NICKEL	B-7160447-N
3	INSULATION 1	TEFLON	1	TEFLON	I-0212T
4	INSULATION 2	TEFLON	1	TEFLON	I-0211T
5	BODY 2	BRASS	1	NICKEL	B-7160343-N
6	PIN 2	BE CU	1	SILVER	P-7160421-S
7	GASKET	SI RUBBER	1	RUBBER	RU-0040



**HUS-TSAN GROUP CO., LTD.**

P.O. BOX 40-76. TAINAN. TAIWAN, R.O.C.

TITLE **7/16 JACK RECEPTACLES-SOLDER POT CONTACT**

PART NO. **716-07V5-TSN**

DRAWING NO. **716-07V5-TSN**

DRAWN **MARY** DATE **90.01.22**

CHECKED **蘇姿潔** DATE

Q.A. **馮健華** DATE

APPROVAL **徐燦霖** DATE

REVISION DATE

DIMENSIONS ARE IN MILLIMETERS

UNLESS OTHERWISE SPECIFIED TOLERANCE

0.5-5 =  $\pm 0.2$  120-315 =  $\pm 1$

5-30 =  $\pm 0.4$  315-1000 =  $\pm 1.6$

30-120 =  $\pm 0.6$  1000-2000 =  $\pm 2.4$

SCALE **4:1** SIZE **A**

REVISION

DESCRIPTION ENGINEER