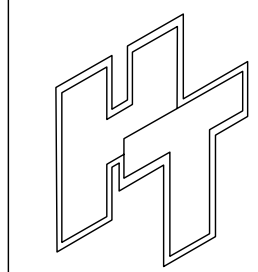
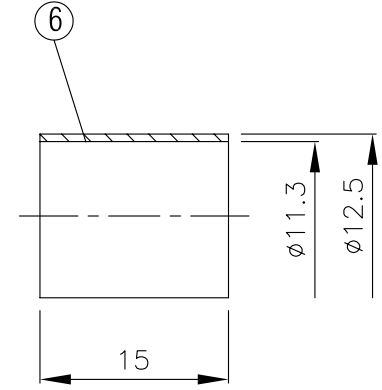
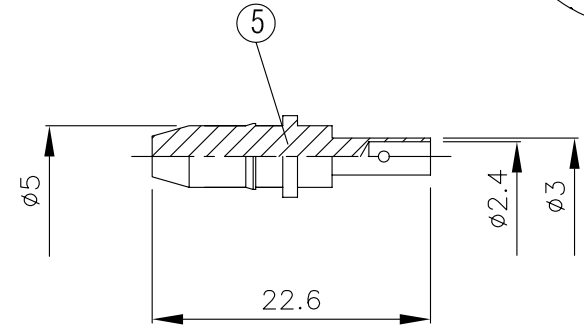
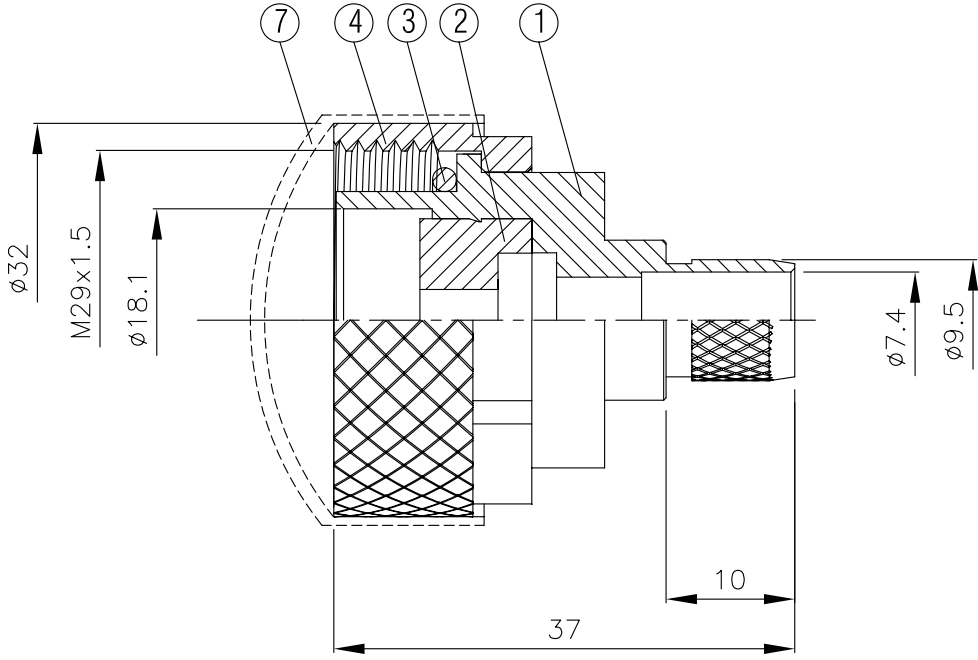
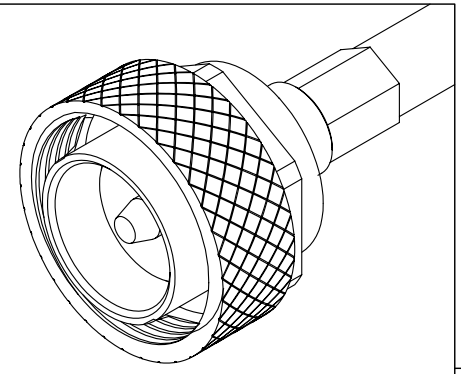


NO	DESCRIPTION	MATERIAL	Q'TY	FINISH	REMARK
1	BODY 1	BRASS	1	SILVER	B-7160814-S
2	INSULATION 1	TEFLON	1	TEFLON	I-0392T
3	GASKET	SI RUBBER	1	RUBBER	RU-0020
4	BODY 2	BRASS	1	SILVER	B-7160815-S
5	PIN	BRASS	1	SILVER	P-7160577-S
6	RING	BRASS	1	NICKEL	R-0010-N
3	GASKET	SI RUBBER	1	RUBBER	RU-0040



HUS-TSAN GROUP CO., LTD.
P.O.BOX 40-76.TAINAN.TAIWAN,R.O.C.
TITLE 7/16 MALE CRIMP FOR RG-213/U
PART NO. 716-04B-TSS
DRAWING NO. 716 04B TSS

DRAWN MARY **DATE** 93.11.01
CHECKED 蘇姿潔 **DATE**
Q.A. 馮健華 **DATE**
APPROVAL 徐燦霖 **DATE**
REVISION **DATE**

DIMENSIONS ARE IN MILLIMETERS
UNLESS OTHERWISE SPECIFIED TOLERANCE
0.5-5=±0.2 120-315=±1
5-30= ±0.4 315-1000=±1.6
30-120±0.6 1000-2000=±2.4
SCALE 4:1 **SIZE** A

REVISION	
DESCRIPTION	ENGINEER