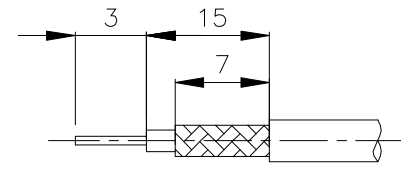
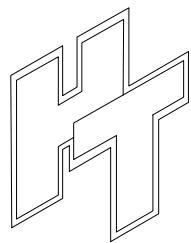
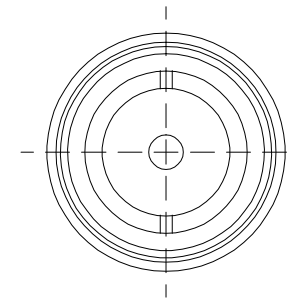
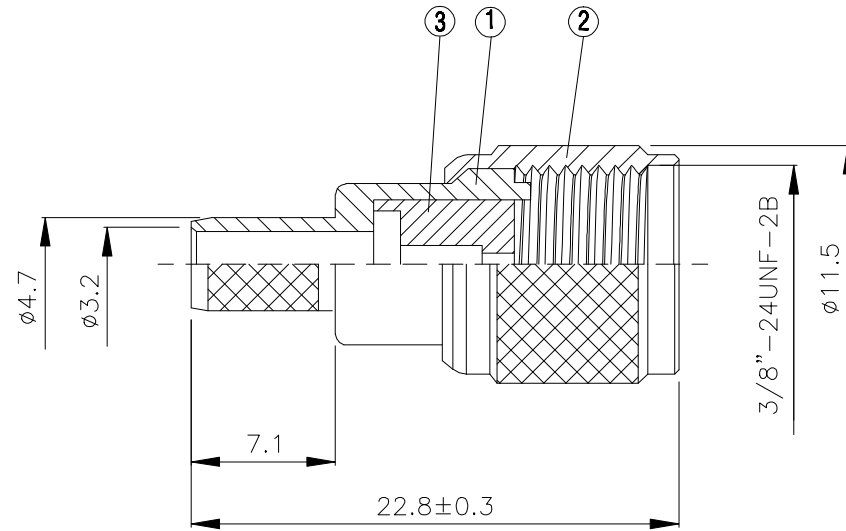
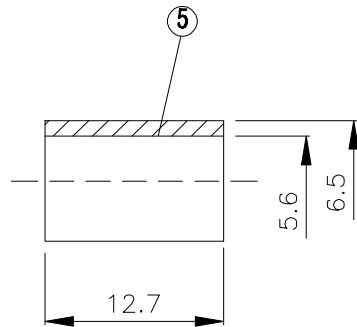
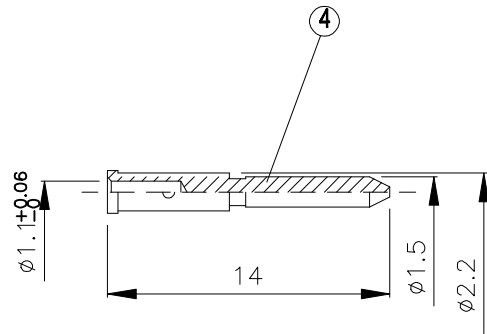
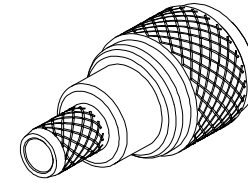


NO	DESCRIPTION	MATERIAL	Q'TY	FINISH
1	BODY	BRASS	1	NICKEL
2	SHELL	BRASS	1	NICKEL
3	INSULATION	DELTRIN	1	DELTRIN
4	PIN	BRASS	1	GOLD
5	RING	BRASS	1	NICKEL



(Recommended Stripping Dimension)



**HUS-TSAN GROUP CO., LTD.**

P.O.BOX 40-76.TAINAN.TAIWAN,R.O.C.

TITLE **MINI UHF MALE CRIMP FOR  
RG-58/U,AMC-58LL**

PART NO. **MU-03F-DGN**

DRAWING NO. **MU-03F-DGN**

DRAWN **MARY** DATE **81.05.23**

CHECKED **黃巧君** DATE **81.05.23**

Q.A. **蘇姿潔** DATE

APPROVAL **徐燦霖** DATE

REVISION DATE

**DIMENSIONS ARE IN MILLIMETERS**

**UNLESS OTHERWISE SPECIFIED  
TOLERANCE**

0.5-5=±0.2 120-315=±1

5-30= ±0.4 315-1000=±1.6

30-120=±0.6 1000-2000=±2.4

SCALE **4:1** SIZE **A**

**REVISION**

DESCRIPTION ENGINEER

4

3

2

1