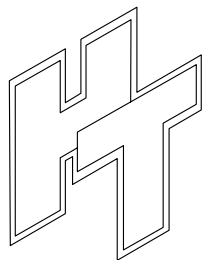
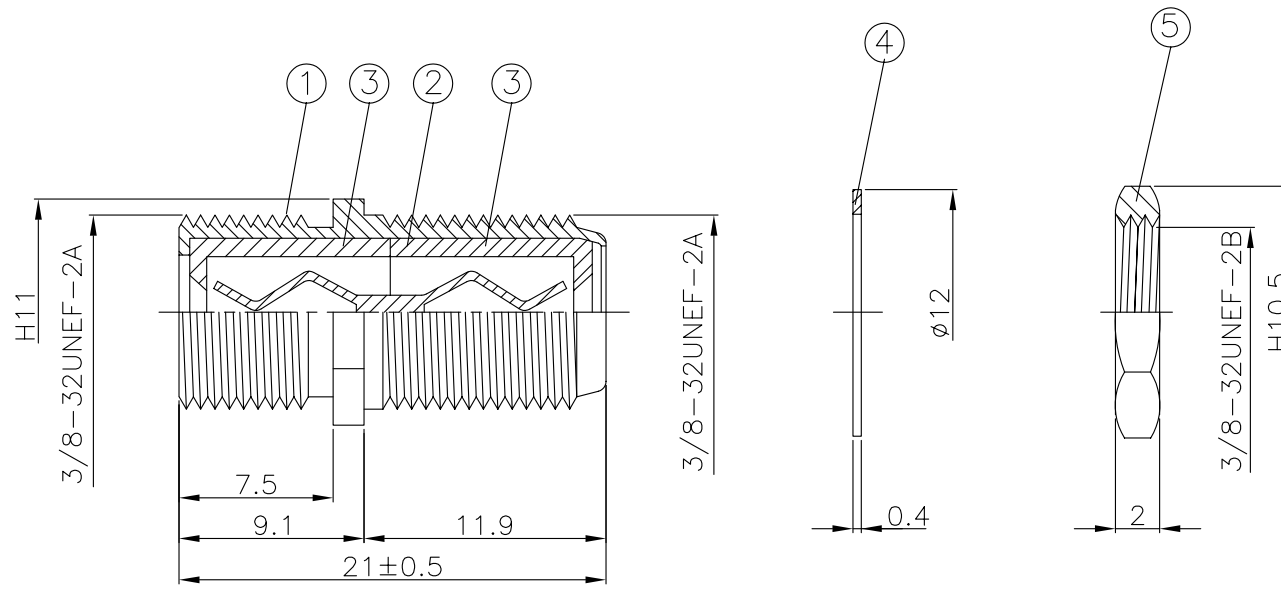
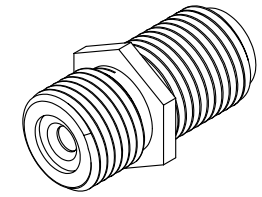


NO	DESCRIPTION	MATERIAL	Q'TY	FINISH
1	BODY	BRASS	1	NICKEL
2	PIN	BRASS	1	TIN
3	INSULATION	DELTRIN	2	DELTRIN
4	WASHER	BRASS	1	NICKEL
5	NUT	BRASS	1	NICKEL



HUS-TSAN GROUP CO., LTD.

P.O. BOX 40-76, TAINAN, TAIWAN, R.O.C.

TITLE F FEMALE ADAPTOR FOR BULKHEAD FEMALE - FEMALE

PART NO. F-22-DTN

DRAWING NO. F 22 DTN

DRAWN MARY DATE 96.07.06

CHECKED 蘇志欣 DATE

Q.A. 蘇姿潔 DATE

APPROVAL 徐燦霖 DATE

REVISION DATE

DIMENSIONS ARE IN MILLIMETERS

UNLESS OTHERWISE SPECIFIED TOLERANCE

0.5-5=±0.2 120-315=±1

5-30=±0.4 315-1000=±1.6

30-120=±0.6 1000-2000=±2.4

SCALE 4:1 SIZE A

REVISION

DESCRIPTION ENGINEER