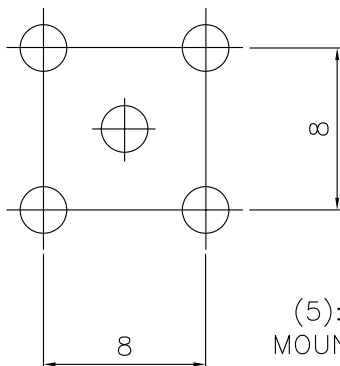
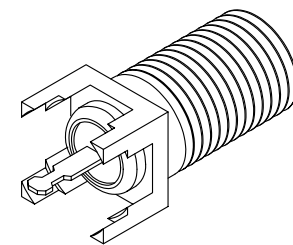
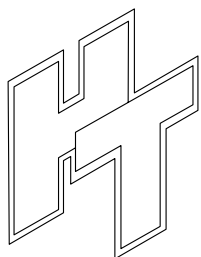
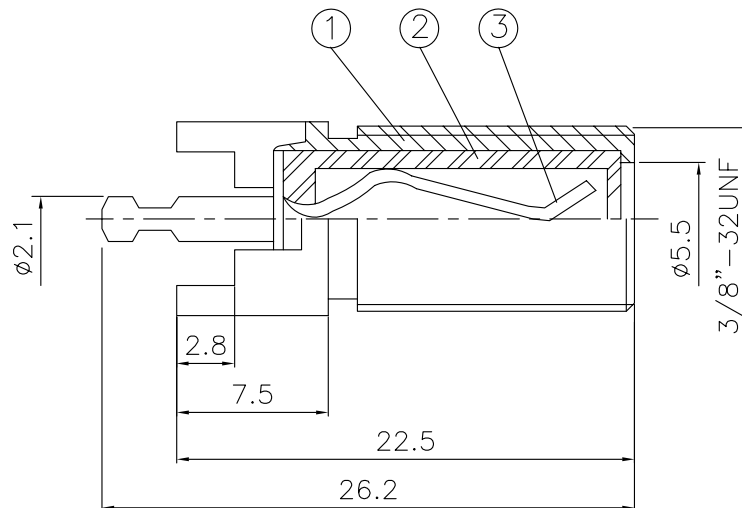
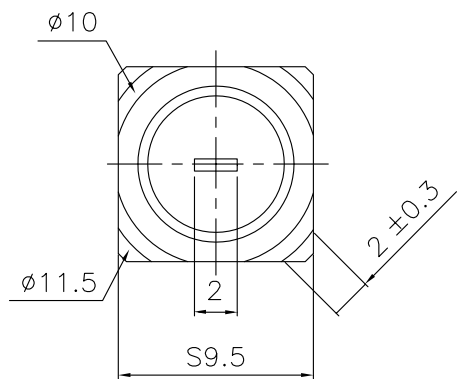


NO	DESCRIPTION	MATERIAL	Q' TY	FINISH
1	BODY	BRASS	1	NICKEL
2	INSULATION	DELIN	1	DELIN
3	PIN	P.P+BOBBIN	1	TIN



(5): ϕ 2.2 MIN MOUNTING HOLE



HUS-TSAN GROUP CO., LTD.

P.O.BOX 40-76.TAINAN.TAIWAN,R.O.C.

TITLE F FEMALE PC MOUNT

PART NO. F-14-DTN

DRAWING NO. F 14 DTN

DRAWN MARY DATE 96.07.06

CHECKED 蘇志欣 DATE

Q.A. 蘇姿潔 DATE

APPROVAL 徐燦霖 DATE

REVISION DATE

DIMENSIONS ARE IN MILLIMETERS

UNLESS OTHERWISE SPECIFIED TOLERANCE

0.5-5 = \pm 0.2 120-315 = \pm 1

5-30 = \pm 0.4 315-1000 = \pm 1.6

30-120 = \pm 0.6 1000-2000 = \pm 2.4

SCALE 4:1 SIZE A

REVISION

DESCRIPTION	ENGINEER

D

D

D

D

B

B

A

A