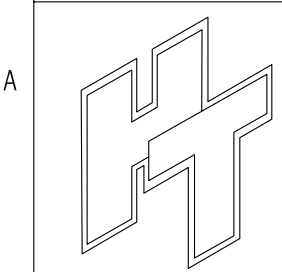
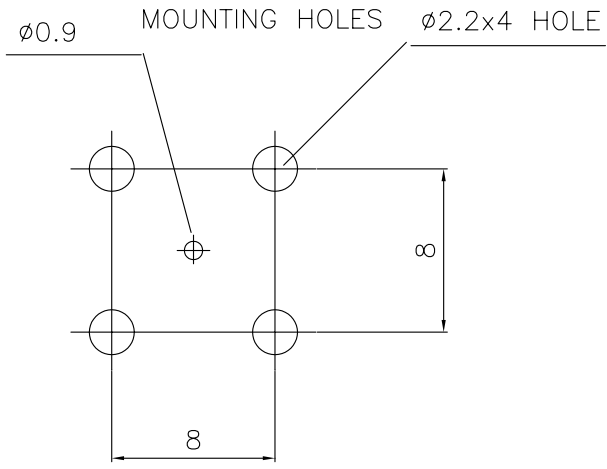
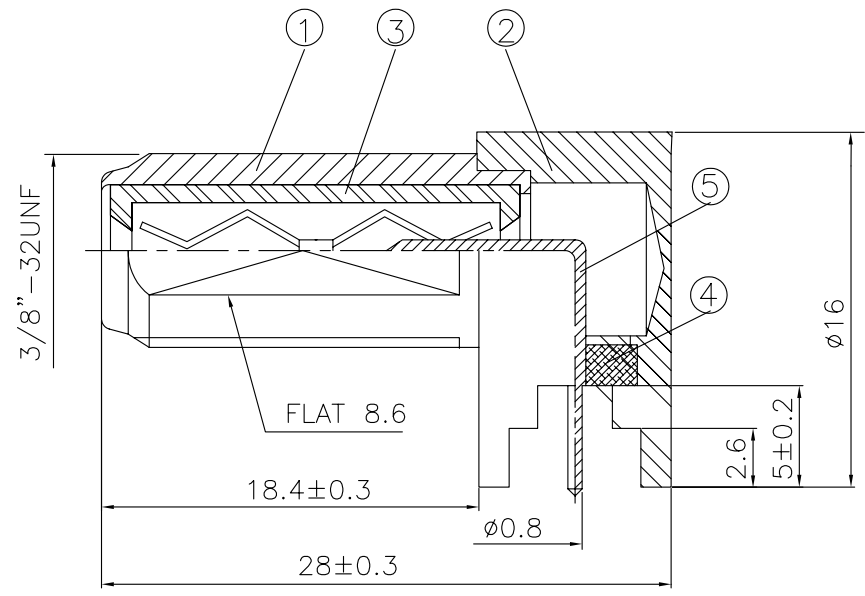
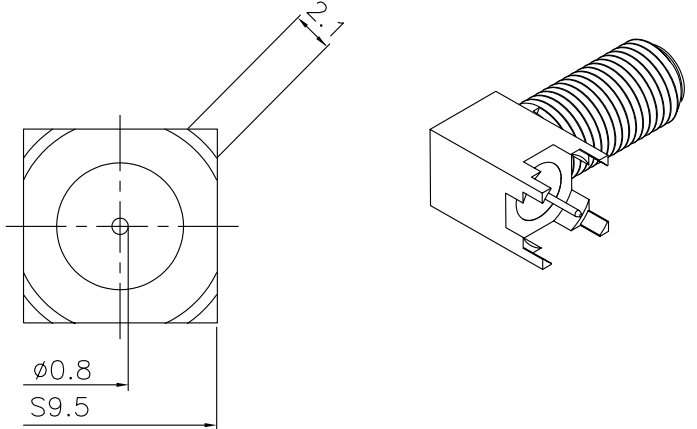


NO	DESCRIPTION	MATERIAL	Q'TY	FINISH
1	BODY	BRASS	1	NICKEL
2	CHASSIS	BRASS	1	NICKEL
3	PIN+BOBBIN	P.P+BOBBIN	1	P.P
4	INSULATION	DELRIN	1	DELRIN
5	PIN	BRASS	1	TIN



HUS-TSAN GROUP CO., LTD.
P.O. BOX 40-76.TAINAN.TAIWAN,R.O.C.
TITLE RIGHT ANGLE FEMALE PC MOUNT
PART NO. F-13-DTN
DRAWING NO. F 13 DTN

DRAWN	MARY	DATE	96.07.06
CHECKED	蘇志欣	DATE	
Q.A.	蘇姿潔	DATE	
APPROVAL	徐燦霖	DATE	
REVISION		DATE	

DIMENSIONS ARE IN MILLIMETERS			
UNLESS OTHERWISE SPECIFIED TOLERANCE			
0.5-5=±0.2	120-315=±1		
5-30=±0.4	315-1000=±1.6		
30-120=±0.6	1000-2000=±2.4		
SCALE	4:1	SIZE	A

REVISION	
DESCRIPTION	ENGINEER