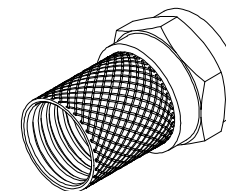
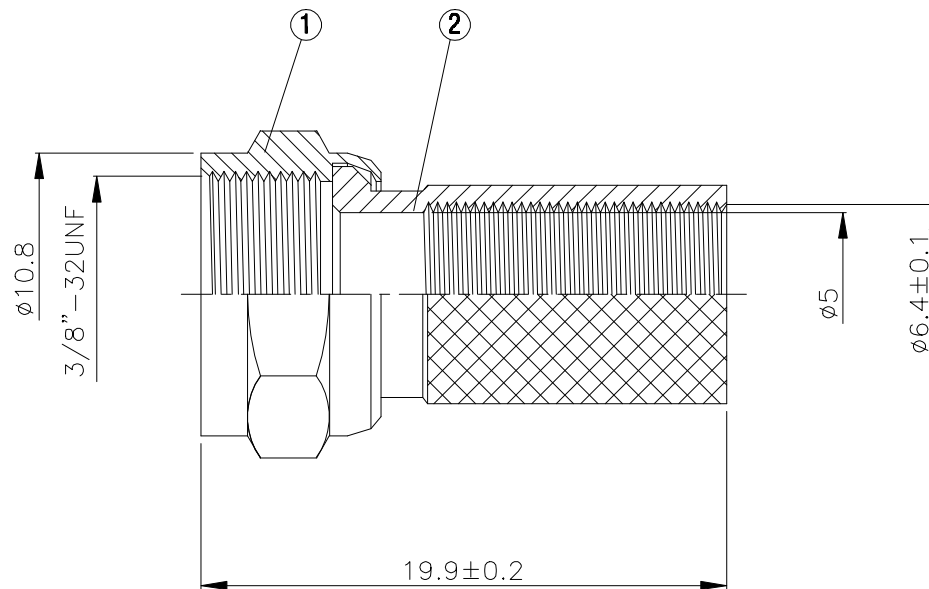
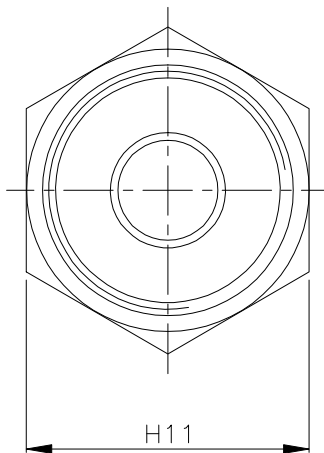


NO	DESCRIPTION	MATERIAL	Q'TY	FINISH
1	BODY 1	BRASS	1	NICKEL
2	BODY 2	BRASS	1	NICKEL



D

D

C

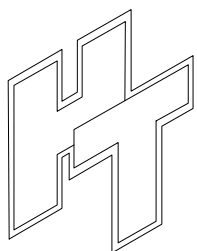
C

B

B

A

A



**HUS-TSAN GROUP CO., LTD.**

P.O. BOX 40-76. TAINAN. TAIWAN. R.O.C.

TITLE  
**F MALE TWIST FOR RG-6/U**

PART NO.  
**F-09A-NICKEL**

DRAWING NO.  
**F 09A NICKEL**

DRAWN MARY DATE 88.06.25

CHECKED 黃巧君 DATE 96.02.07

Q.A. 蘇姿潔 DATE

APPROVAL 徐燦霖 DATE

REVISION DATE

DIMENSIONS ARE IN MILLIMETERS

UNLESS OTHERWISE SPECIFIED TOLERANCE

0.5-5=±0.2	120-315=±1
5-30=±0.4	315-1000=±1.6
30-120=±0.6	1000-2000=±2.4

SCALE 5:1 SIZE A

4

3

2

1