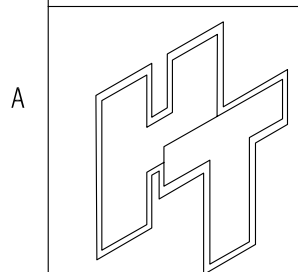
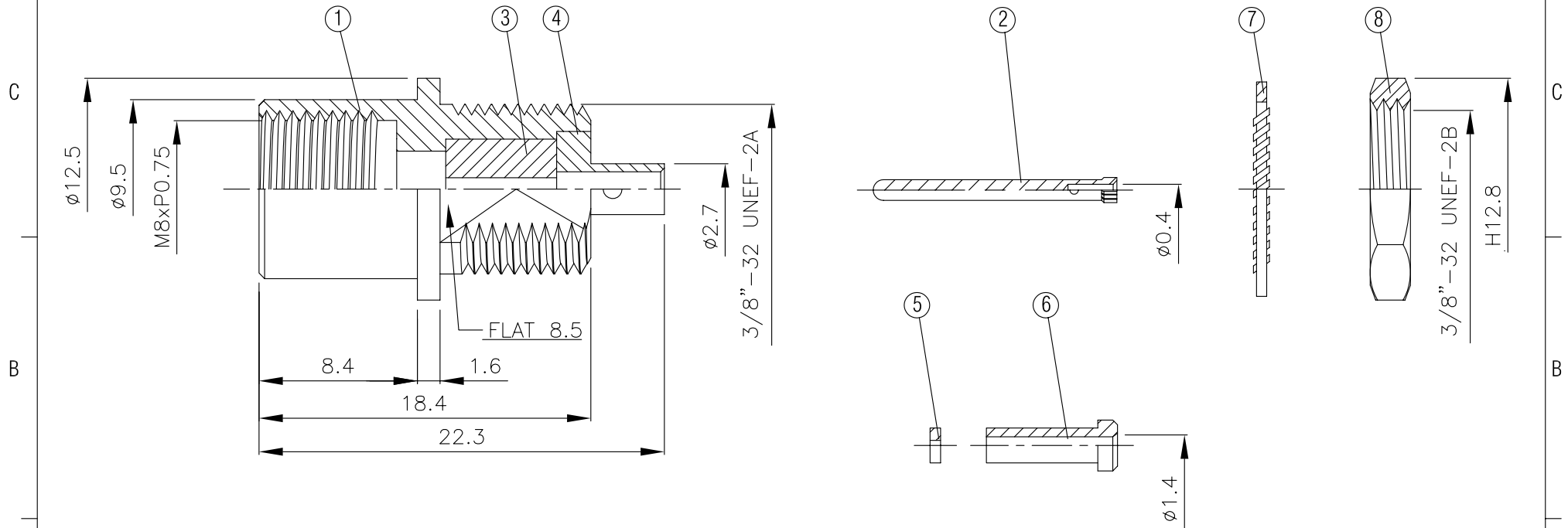
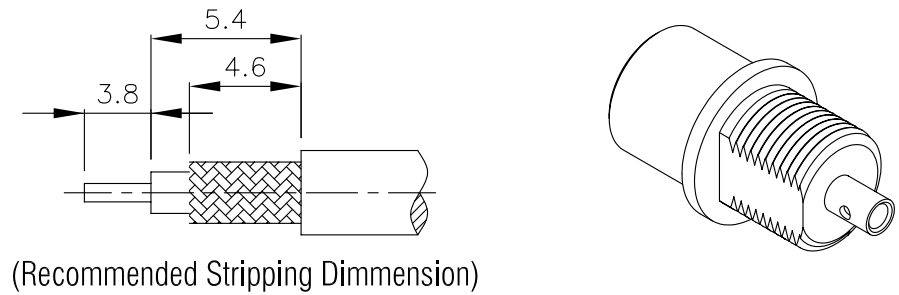


NO	DESCRIPTION	MATERIAL	Q'TY	FINISH	REMARK
1	BODY 1	BRASS	1	NICKEL	B-FME0716-N
2	PIN	BRASS	1	GOLD	P-FME0678-G
3	INSULATION 1	TEFLON	1	TEFLON	I-0471T
4	BODY 2	BRASS	1	GOLD	B-FME0717-G
5	INSULATION 2	TEFLON	1	TEFLON	I-0347T
6	BODY 3	BRASS	1	GOLD	B-FME0934-G
7	WASHER	BRASS	1	NICKEL	W-0003-N
8	NUT	BRASS	1	NICKEL	N-0010-N



HUS-TSAN GROUP CO., LTD.
P.O.BOX 40-76.TAINAN.TAIWAN,R.O.C.
TITLE FME MALE SOLDER FOR RG-178/U
PART NO. FME-42M-TGN
DRAWING NO. FME 42M TGN

DRAWN MARY
CHECKED 蘇志欣
Q.A. 蘇姿潔
APPROVAL 徐燦霖
REVISION

DATE 96.07.07
DATE
DATE
DATE

DIMENSIONS ARE IN MILLIMETERS
UNLESS OTHERWISE SPECIFIED TOLERANCE
0.5-5=±0.2 120-315=±1
5-30= ±0.4 315-1000=±1.6
30-120±0.6 1000-2000=±2.4
SCALE 4:1 **SIZE** A

REVISION	
DESCRIPTION	ENGINEER