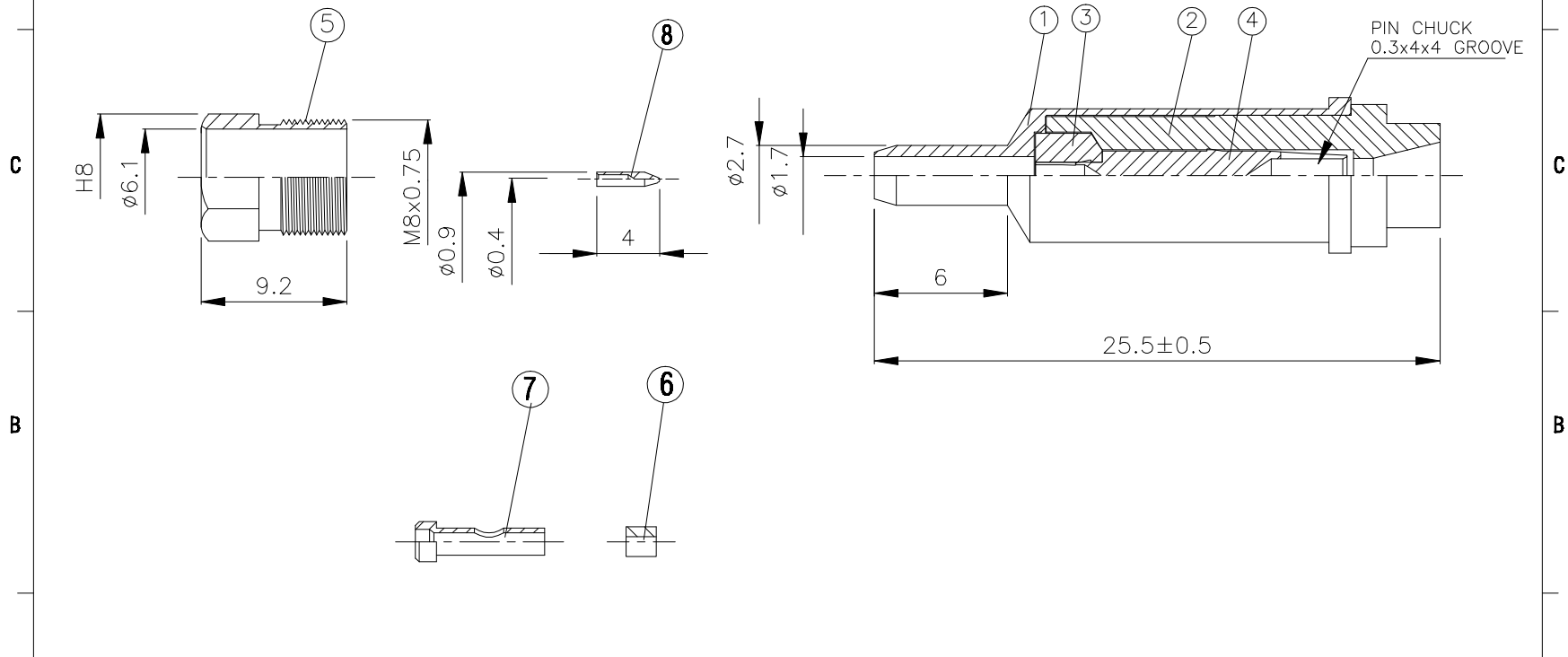
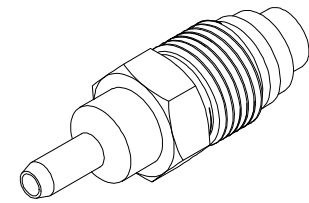


NO	DESCRIPTION	MATERIAL	Q'TY	FINISH	REMARK
1	BODY	BRASS	1	NICKEL	B-FME1218-N
2	INSULATION	DELRIN	1	DELRIN	I-0086D
3	INSULATION	TEFLON	1	TEFLON	I-0588T
4	PIN	BRASS	1	GOLD	P-FME0877-G
5	NUT	BRASS	1	NICKEL	N-0008-N
6	INSULATION	TEFLON	1	TEFLON	I-0304T
7	INSULATION	DELRIN	1	TEFLON	B-SMA0473-G
8	PIN	BRASS	1	GOLD	P-FME0505-G



	HUS-TSAN GROUP CO., LTD.		DRAWN	MARY	DATE	96.09.13	DIMENSIONS ARE IN MILLIMETERS		REVISION		
	P.O.BOX 40-76.TAINAN.TAWAN,R.O.C.		CHECKED	蘇志欣	DATE	96.09.13			UNLESS OTHERWISE SPECIFIED TOLERANCE		DESCRIPTION
	TITLE FME FEMALE CRIMP FOR 1.30 MM CABLE		Q.A.	蘇姿潔	DATE		0.5-5=±0.2	120-315=±1			
	PART NO. FME-05M-DGN		APPROVAL	徐燦霖	DATE		5-30=±0.4	315-1000=±1.6			
	DRAWING NO. FME 05M DGN		REVISION		DATE		30-120=±0.6	1000-2000=±2.4	SCALE	4:1	SIZE